

Table of Contents for Lift Frame:

QLI-MKB.....2

QLII-MKBX-GA.....5

QLII-HI-DLC-GA8

QLII-HI-GA11

QLII-HI-TILT.....14

QLII-MKB-GA.....18

QLII-MKBX-M3493.....21

QLIII-HI-DLC.....24

QLIII-HI.....28

QLIII-HI-TILT-GA31

QLIII-MKB.....35

QLIII-MKB-M3493.....38

QLIV-MKB-M3493.....42

QLIV-HI-DLC-.....46

QLIV-HI-.....50

QL-HOP.....53

QLI-MKB

Lift Frame Mounting Kit

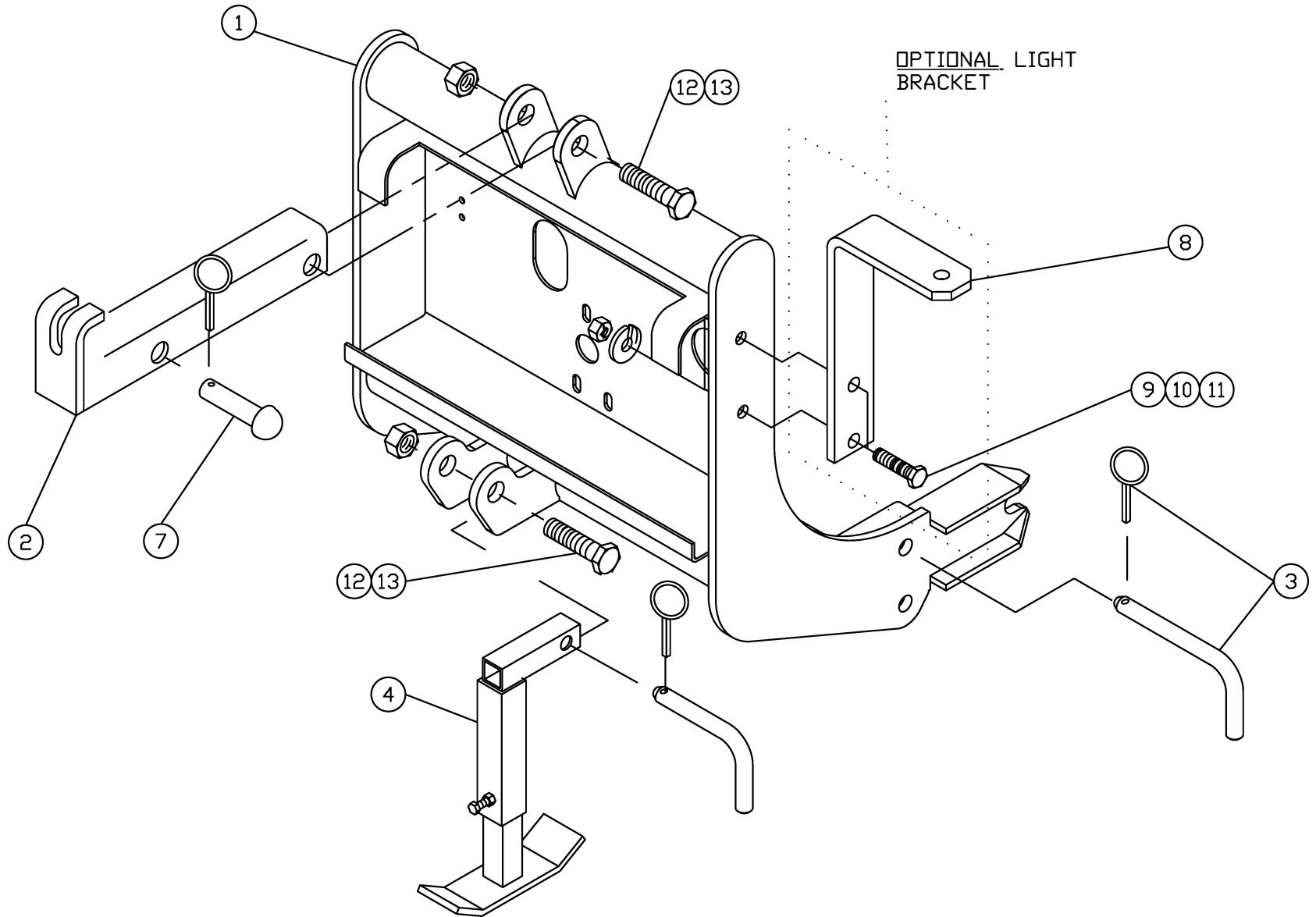
| QL-MKB Mounting Kit Quik-Link I | | | | |
|---------------------------------|--------------|-------------------------------|--------|------|
| Item | Part # | Description | QL-MKB | MKPB |
| 1 | 52162-C | Q-Link I Lift Frame | 1 | |
| 2 | 52166-C | Q-Link I Spreader Bar | 1 | |
| 3 | 52310-D | Ford Q-Link I Spreader Bar | 1 | |
| 4 | 50069-C | Lift Channel | 1 | |
| 5 | 52208-B | Light Brace | 2 | |
| 6 | 52209-B | Light Antler | 1 | |
| 7 | HH-00972-090 | 1/2" x 1 1/2" Cap screw | | 6 |
| 8 | HH-00457-001 | 1/2" Lock washer | | 6 |
| 9 | HH-00460-002 | 1/2" Hex nut | | 6 |
| 10 | HH-00972-153 | 3/4" x 3 1/2" UNF Cap screw | | 2 |
| 11 | HH-00973-007 | 3/4" UNF Thin Collar Locknut | | 3 |
| 12 | WA-34704 | Mounting Pin | 2 | |
| 13 | 50040-A | Quick release pin | 2 | |
| 14* | 50999-B | Guides | 2 | |
| 15 | HH-00972-149 | 3/4-16 x 2 1/2" UNF Cap screw | 1 | |
| 16 | 50853-M | Pin Assembly | 1 | |

Arctic Equipment Manufacturing Corporation reserves the right under its product improvement policy to change construction or design details and furnish equipment when so altered without reference to illustrations or specifications used.

QLII-MKBX-GA

Lift Frame Mounting Kit

(used prior 2014, M200 power unit only)



| Item | Part # | Description | QLII-MKBX-GA |
|------|--------------|---------------------------------|--------------|
| 1 | 52638-D-GA | Lift Frame Galvanized | 1 |
| 2 | 50069-C-GA | Lift Channel Galvanized | 1 |
| 3 | 1302045 | Pin assembly | 2 |
| 4 | 52671-M-GA | Jack Assembly (with lynch pin) | 1 |
| 5* | 50999-B | Blade Guides | 2 |
| 7** | 52757-M | Rivet Ass'y (rivet & lynch pin) | 1 |
| 8** | 52697-B-GA | Light Bracket Galvanized | 2 |
| 9** | HH-00972-051 | 3/8-24x1.1/2 HHCS | 4 |
| 10** | HH-00457-004 | 3/8 Lock washer | 4 |
| 11** | HH-00460-003 | 3/8-24 Hex Nut | 4 |

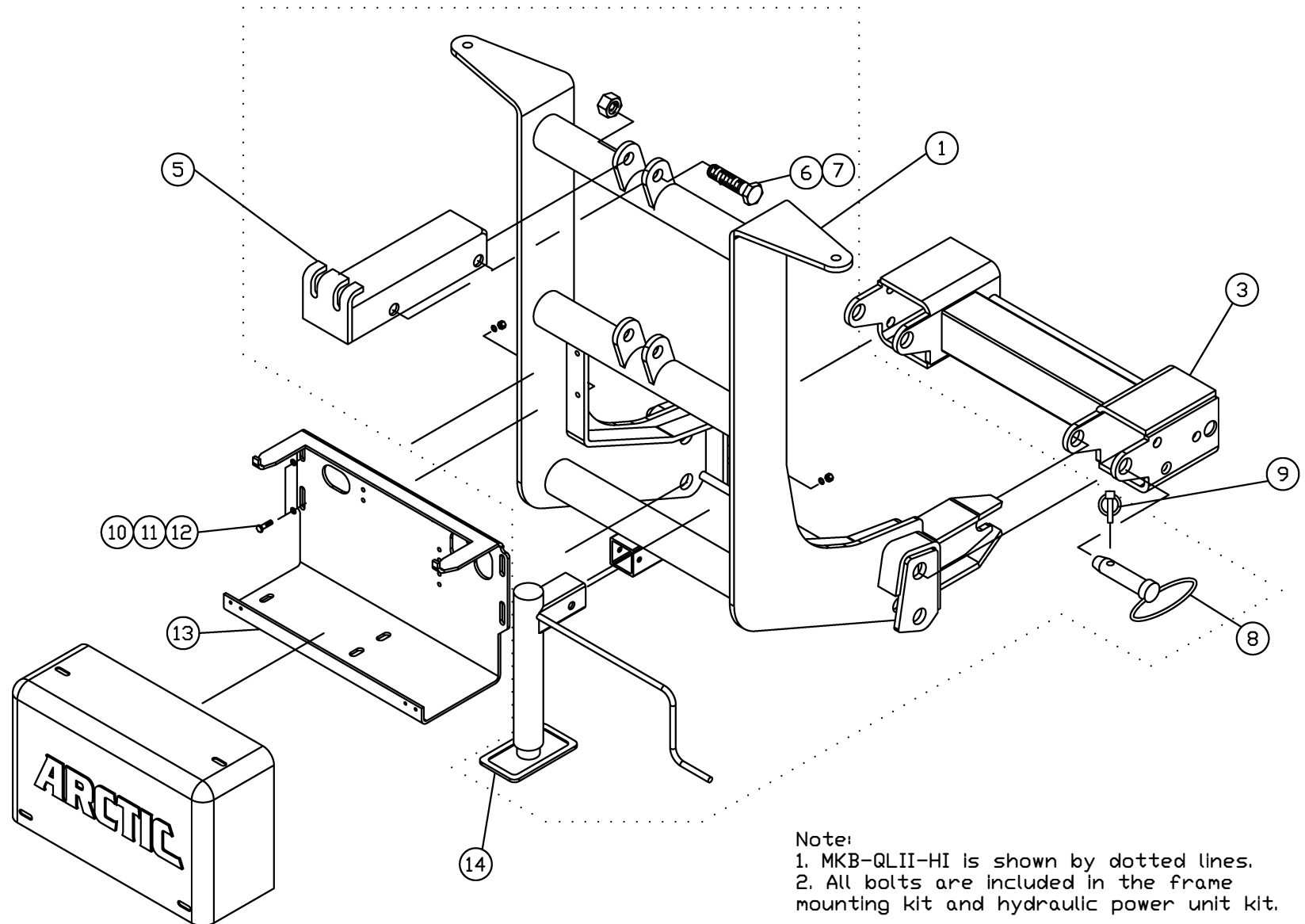
| Parts located in undercarriage mounting kit | | | |
|---|--------------|---------------------------|---|
| 12 | HH-00972-153 | 3/4-16x 3 1/2 HHCS | 2 |
| 13 | HH-00973-007 | 3/4 Nut with nylon insert | 2 |

Note: * These items are not shown on the drawing.
 ** These items are part of Optional Light Bracket 52697-M-GA.

Arctic Equipment Manufacturing Corporation reserves the right under its product improvement policy to change construction or design details and furnish equipment when so altered without reference to illustrations or specifications used.

QLII-HI-DLC-GA

Lift Frame Mounting Kit



Note:
1. MKB-QLII-HI is shown by dotted lines.
2. All bolts are included in the frame mounting kit and hydraulic power unit kit.

| QLII-HI-DLC-GA Hi Boy with double chain | | | |
|---|-------------|----------------------------------|----------|
| Item | Part # | Description | Quantity |
| 1 | 53171-D- GA | QUIK*LINK ® II Hi-Boy Lift Frame | 1 |
| 2 | 53214-M-GA | Double chain kit | 1 |

| 53214-M-GA Double chain kit | | | |
|-----------------------------|--------------|----------------------------------|----------|
| Item | Part # | Description | Quantity |
| 3* | 52363-C-G | QUIK*LINK ® II Spreader Bar | 1 |
| 4* | 52364-C-G | Ford QUIK*LINK ® II Spreader Bar | 1 |
| 5 | 52612-B-GA | Lift Channel (2" cylinder) | 1 |
| 6 | HH-00972-155 | 3/4" x 4" UNF Cap screw | 2 |
| 7* | HH-00973-007 | 3/4" UNF Thin Collar Locknut | 2 |
| 8 | 52348-A | Spreader Pin | 2 |
| 9 | 50040-A | Lynch Pin | 2 |
| 10* | HH-00972-029 | 5/16 x 1 1/4 UNF Hex Cap screw | 4 |
| 11* | HH-00460-005 | 5/16" Hex Nut | 4 |
| 12* | HH-00457-007 | 5/16" Lock Washer | 8 |
| 13* | 52870-C-GA | Mounting Plate | 1 |
| 14 | 52373-M | Jack Assembly | 1 |
| 15 | 50999-B | Blade Guides | 2 |

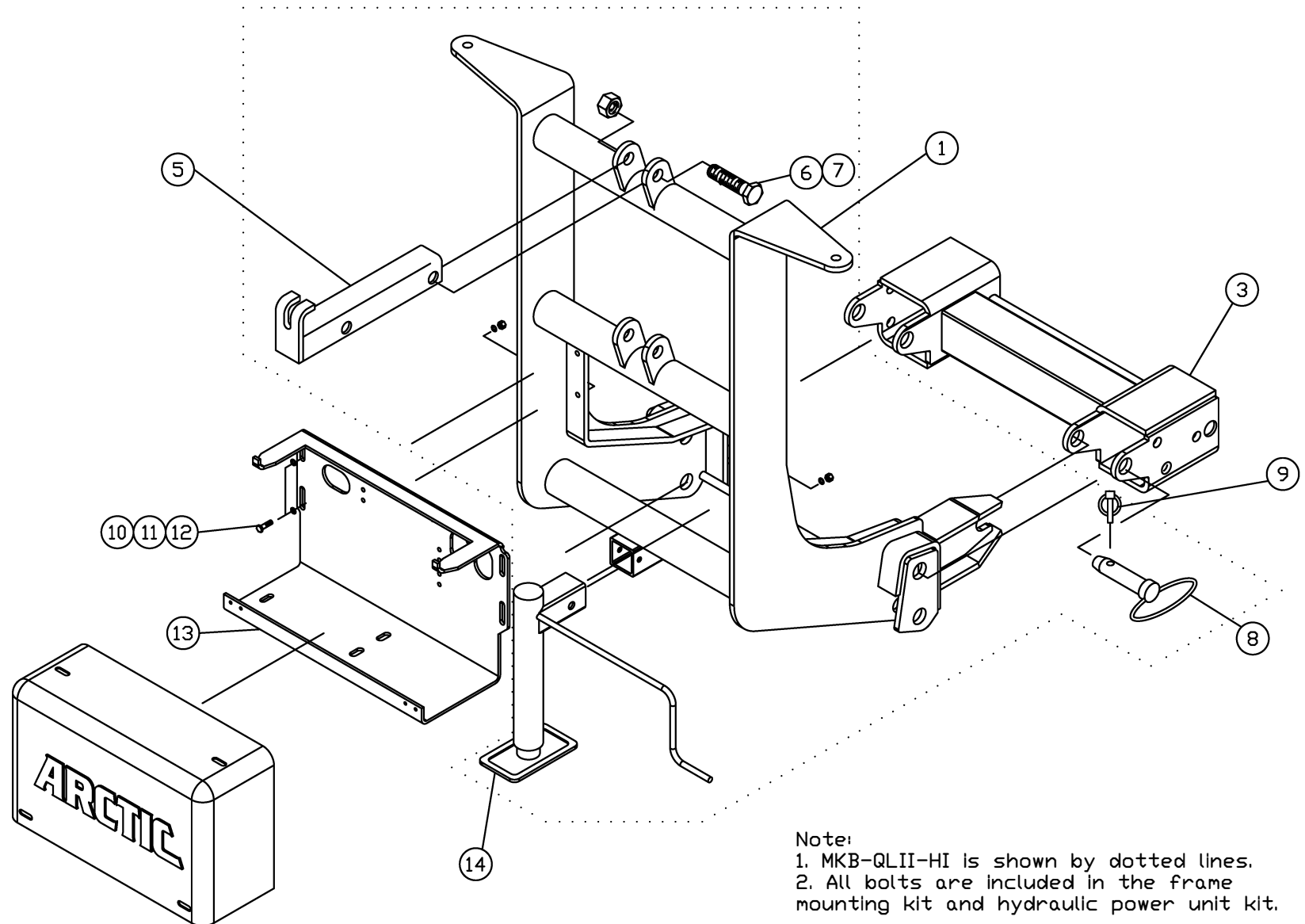
* Items are not part of the kit.

QUIK*LINK is a trademark of Arctic Equipment Manufacturing Corporation

Arctic Equipment Manufacturing Corporation reserves the right under its product improvement policy to change construction or design details and furnish equipment when so altered without reference to illustrations or specifications used.

QLII-HI-GA

Lift Frame Mounting Kit



Note:
1. MKB-QLII-HI is shown by dotted lines.
2. All bolts are included in the frame mounting kit and hydraulic power unit kit.

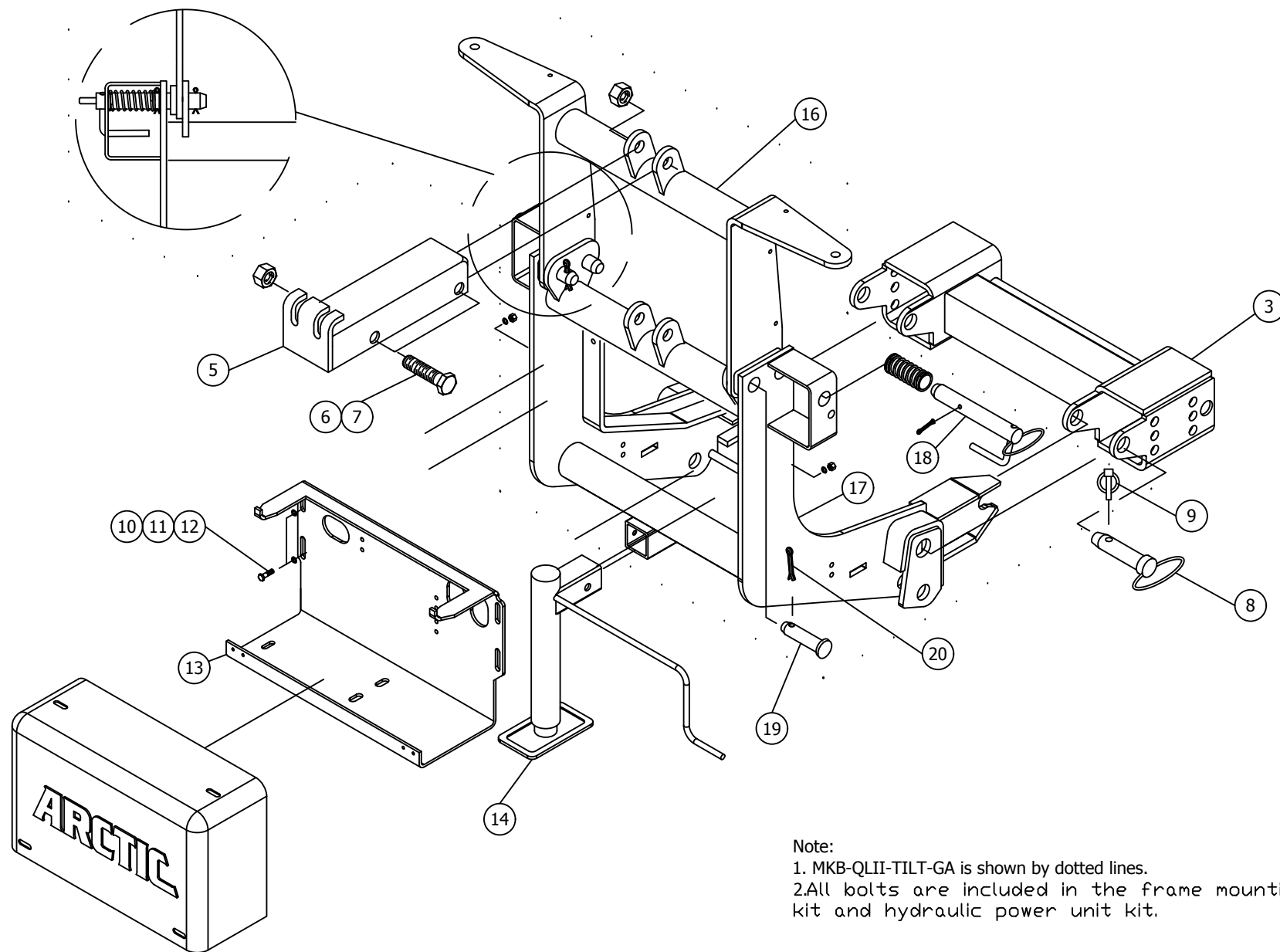
| QLII-HI-GA Mounting Kit QLII Hi Boy Galvanized | | | |
|--|------------|----------------------------------|----------|
| Item | Part # | Description | Quantity |
| 1 | 53171-D-GA | Hi-Boy Lift Frame Galvanized | 1 |
| 2 | 53213-M-GA | Single lift chain kit Galvanized | 1 |

| 53213-M-GA Single lift chain kit Galvanized | | | | | |
|---|--------------|----------------------------------|------------|------|------------------------|
| Item | Part # | Description | 53213-M-GA | MKPB | 52403-02-M-GA Pump Kit |
| 3 | 52363-C-G | QUIK*LINK ® II Spreader Bar | | 1 | |
| *4 | 52364-C-G | Ford QUIK*LINK ® II Spreader Bar | | | |
| 5 | 50069-C-GA | Lift Channel Galvanized | 1 | | |
| 6 | HH-00972-153 | 3/4" x 3½" UNF Cap screw | | 2 | |
| 7 | HH-00973-007 | 3/4" UNF Thin Collar Locknut | | 3 | |
| 8 | 52348-A | Spreader Pin | 2 | | |
| 9 | 50040-A | Lynch Pin | 2 | | |
| 10 | HH-00972-029 | 5/16" x 1 1/4" UNF Hex Cap screw | | | 4 |
| 11 | HH-00460-005 | 5/16" Hex Nut | | | 4 |
| 12 | HH-00457-007 | 5/16" Lock Washer | | | 8 |
| 13 | 52870-C-GA | Mounting Plate | | | 1 |
| 14 | 52373-M | Jack Assembly | 1 | | |
| *15 | 50999-B | Blade Guides | 2 | | |
| 16 | HH-00972-149 | 3/4 x 16 x 2 1/2" cap screw | | 1 | |

QUIK*LINK is a trademark of Arctic Equipment Manufacturing Corporation
Note:* These items are not shown on the drawing.

Arctic Equipment Manufacturing Corporation reserves the right under its product improvement policy to change construction or design details and furnish equipment when so altered without reference to illustrations or specifications used.

QLII-HI-TILT
Lift Frame Mounting Kit



Note:

1. MKB-QLII-TILT-GA is shown by dotted lines.
2. All bolts are included in the frame mounting kit and hydraulic power unit kit.

| QLII-HI-TILT Tilt Hi Boy with double chain Galvanized | | | |
|--|---------------|--|-----------------|
| Item | Part # | Description | Quantity |
| 1 | 53341-M-GA | Tilt Hi-Boy Lift Frame Assembly Galvanized | 1 |
| 2 | 53214-M-GA | Double lift chain kit Galvanized | 1 |

| 53214-M Double chain kit Galvanized | | | | | |
|--|---------------|---|----------------|-------------|-------------------------------|
| Item | Part # | Description | 53214-M | MKPB | 52403-02-M-GA Pump Kit |
| 3 | 52363-C-G | QUIK* LINK ® II Spreader Bar Galvanized | | 1 | |
| *4 | 52364-C-G | Ford QUIK*LINK ® II Spreader Bar Galvanized | | | |
| 5 | 52612-B-GA | Lift Channel (2" cylinder) Galvanized | 1 | | |
| 6 | HH-00972-155 | 3/4" x 4" UNF Cap screw | 2 | | |
| **7 | HH-00973-007 | 3/4" UNF Thin Collar Locknut | 2 | | |
| 8 | 52348-A | Spreader Pin | 2 | | |
| 9 | 50040-A | Lynch Pin | 2 | | |
| 10 | HH-00972-029 | 5/16 x 1 1/4 UNF HHCS | | | 4 |
| 11 | HH-00460-005 | 5/16" Hex Nut | | | 4 |
| 12 | HH-00457-007 | 5/16" Lock Washer | | | 8 |
| 13 | 52870-C-GA | Mounting Plate | | | 1 |
| 14 | 52373-M | Jack Assembly | 1 | | |
| *15 | 50999-B | Guides | 2 | | |

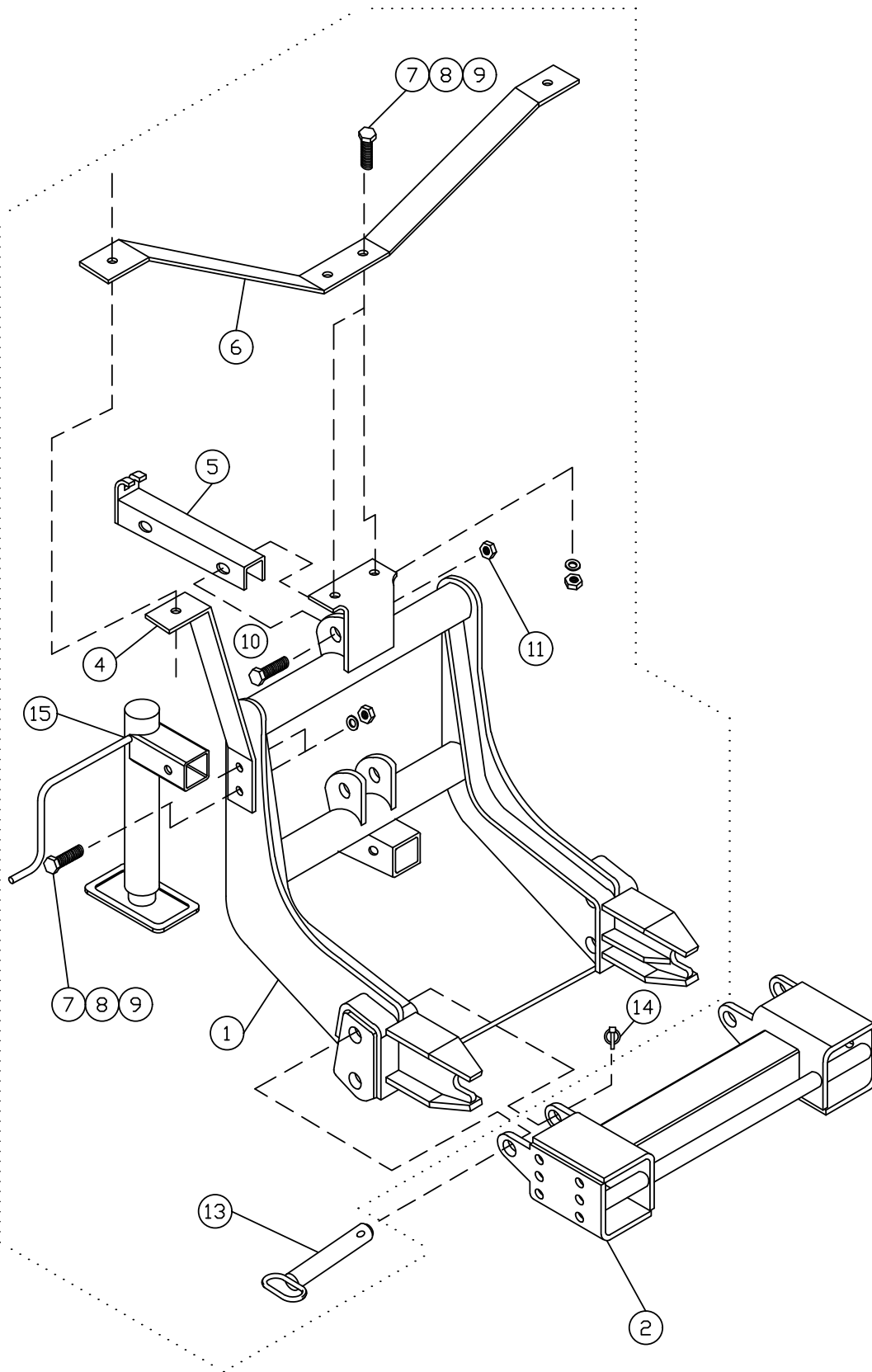
| 53341-M Tilt Hi-Boy Lift Frame Assembly Galvanized | | | |
|---|---------------|---------------------------------------|-----------------|
| Item | Part # | Description | Quantity |
| 16 | 53339-D-GA | Lift Frame Top Assembly Galvanized | 1 |
| 17 | 53340-D-GA | Lift Frame Bottom Assembly Galvanized | 1 |
| 18 | 53338-A | Pin Weldment | 2 |
| 19 | 53325-A | Spreader Pin | 2 |
| 20 | HH-00020-164 | Cotter pin | 2 |

Note: * items (4, 15) are not shown on the drawing.
** item (7) is part of the bolt bag.

Arctic Equipment Manufacturing Corporation reserves the right under its product improvement policy to change construction or design details and furnish equipment when so altered without reference to illustrations or specifications used.

QLII-MKB-GA

Lift Frame Mounting Kit



Note:
1. QLII-MKB is shown by dotted lines.
2. All bolts are included in MKPB.

| QLII-MKB-GA Mounting Kit Quik*Link ® II Galvanized | | | | |
|--|--------------|----------------------------------|-------------|-----------|
| Item | Part # | Description | QLII-MKB-GA | MKPB-QLII |
| 1 | 53170-D-GA | QUIK*LINK ® II Lift Frame | 1 | |
| 2 | 52363-C-GA | QUIK*LINK ® II Spreader Bar | | 1 |
| 3 | 52364-C-GA | Ford QUIK*LINK ® II Spreader Bar | | 1 |
| 4 | 52208-B-GA | Light Brace Galvanized | 2 | |
| 5 | 50069-C-GA | Lift Channel Galvanized | 1 | |
| 6 | 52209-B-GA | Light Antler Galvanized | 1 | |
| 7 | HH-00972-090 | ½" x 1½" Cap screw | | 6 |
| 8 | HH-00457-001 | ½" Lock washer | | 6 |
| 9 | HH-00460-002 | ½" Hex nut | | 6 |
| 10 | HH-00972-153 | ¾" x 3½" UNF Cap screw | | 1 |
| 11 | HH-00973-007 | ¾" UNF Thin Collar Locknut | | 1 |
| 13 | 52348-A | Mounting Pin | 2 | |
| 14 | 50040-A | Lynch Pin | 2 | |
| 15 | 52373-M | Jack Assembly | 1 | |
| 16 | 50999-B | Guides | 2 | |

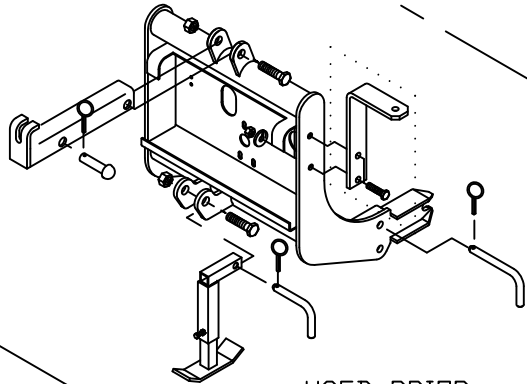
Arctic Equipment Manufacturing Corporation reserves the right under its product improvement policy to change construction or design details and furnish equipment when so altered without reference to illustrations or specifications used.

QLII-MKBX-M3493

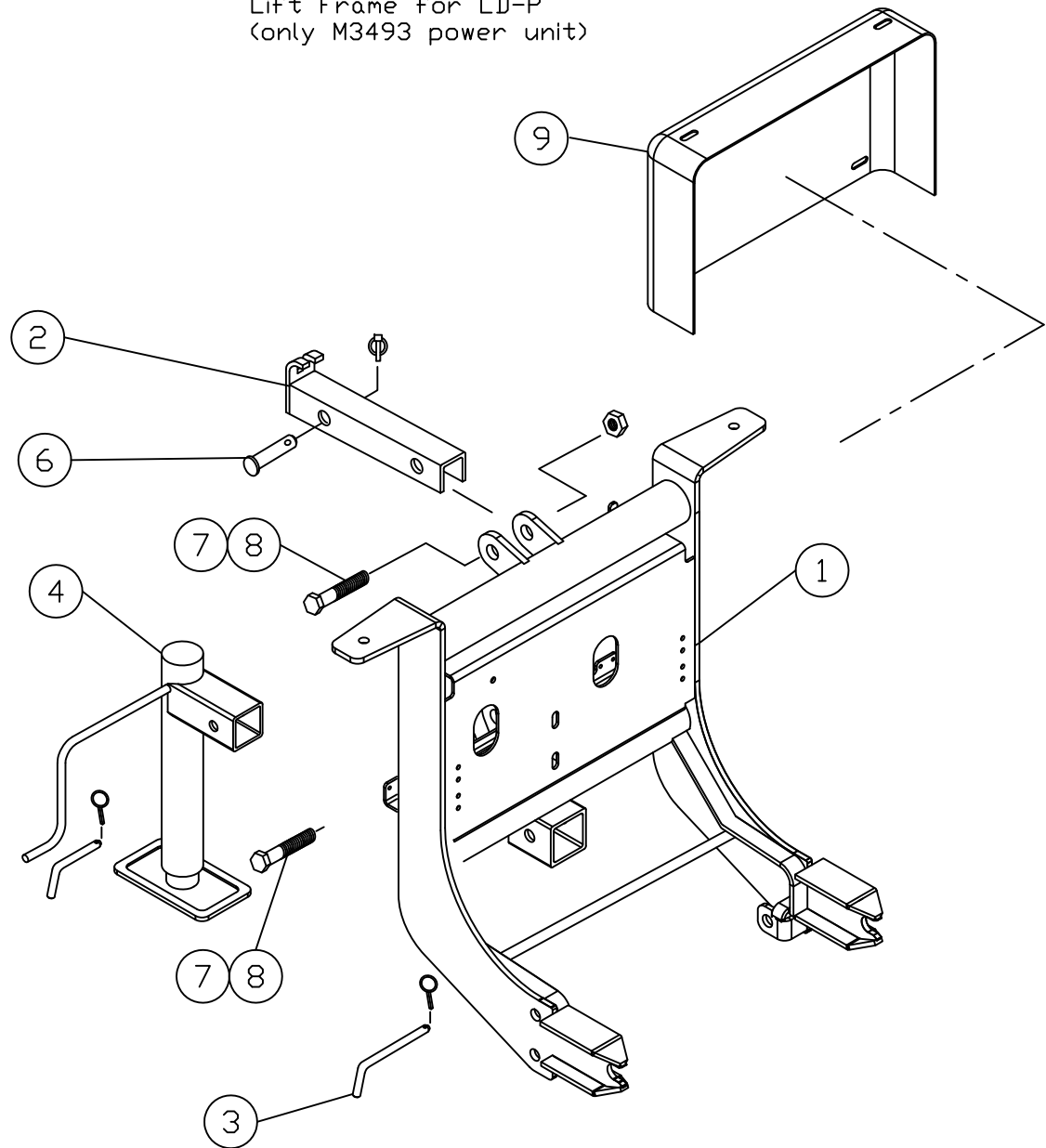
Lift Frame Mounting Kit

Lift Frame for LD-P (only M3493 power unit)

QLII-MKBX-GA



USED PRIOR
TO 2014
(only M200 power unit)



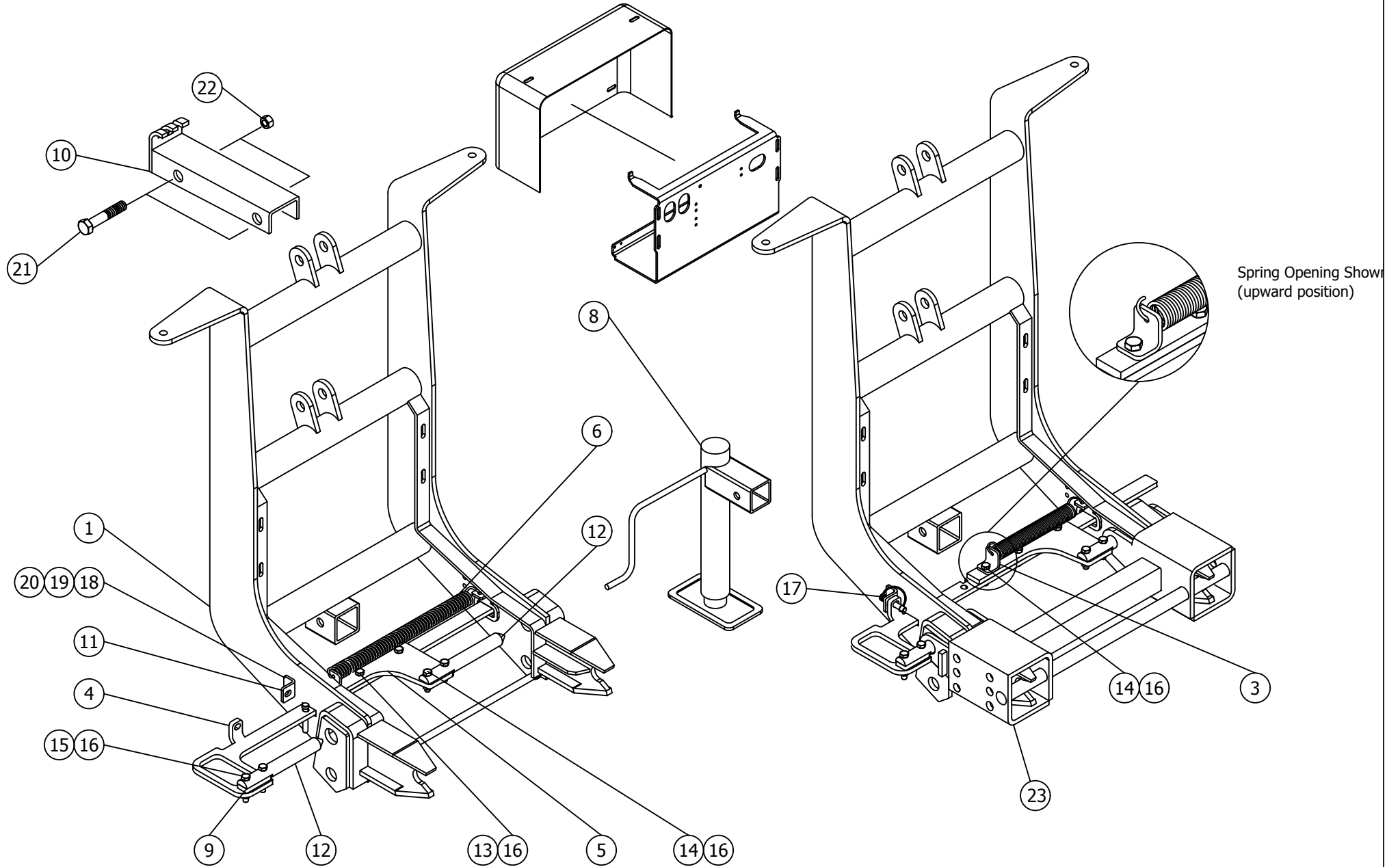
| MKBX-QLII-M3493 | | | |
|-----------------|--------------|---|----------|
| Item | Part # | Description | Quantity |
| 1 | 53613-D | Lift Frame | 1 |
| 2 | 50069-C-GA | Lift Channel | 1 |
| 3 | 1302045 | Pin assembly | 2 |
| 4 | 52373-M | Jack Assembly | 1 |
| 5 | 50999-B | Blade Guides | 2 |
| 6 | 52757-M | Rivet Assembly (rivet & lynch pin) | 1 |
| 7* | HH-00972-153 | $\frac{3}{4}$ "-16 x 3 1/2 Hex Head Cap Screw | 2 |
| 8* | HH-00973-007 | $\frac{3}{4}$ " Lock Nut | 2 |
| 9* | 53420-C | Power Unit Cover | 1 |

* Note: Parts are not part of the QLII-MKBX-M3493 kit

Arctic Equipment Manufacturing Corporation reserves the right under its product improvement policy to change construction or design details and furnish equipment when so altered without reference to illustrations or specifications used.

QLIII-HI-DLC

Lift Frame Mounting Kit



| QLIII-HI-DLC-Lift Frame Mounting | | | |
|----------------------------------|--------------|---|----------|
| Item | Part # | Description | Quantity |
| 1 | 53171-D-GA | Lift Frame | 1 |
| 2 | 53216-M-GA | Double Lift Chain Kit Galvanized | 1 |
| 53216-M-GA Double Lift Chain Kit | | | |
| Item | Part # | Description | Quantity |
| 3 | 53179-M | Spring Bracket | 1 |
| 4 | 53177-M | Handle | 1 |
| 5 | 53178-M | Top Plate | 1 |
| 6 | 53182-N | Spring | 1 |
| 7 | 50999-B | Blade Marker | 1 |
| 8 | 52373-M | Jack Assembly | 1 |
| 9 | 53180-M | Spacer | 1 |
| 10 | 52612-B | Lift Channel Double Chain | 1 |
| 11 | 53174-M | Lock Bracket | 1 |
| 12 | 53181-M | Pin | 2 |
| 13 | HH-00293-050 | 3/8-16x1.1/4 Hex Head Cap Screw | 2 |
| 14 | HH-00293-051 | 3/8-16x1.1/2 Hex Head Cap Screw | 3 |
| 15 | HH-00293-053 | 3/8-16x2 Hex Head Cap Screw | 2 |
| 16 | HH-00340-001 | 3/8-16 Nut (Nylon Insert) | 7 |
| 17 | 53183-N | Hitch Pin | 1 |
| 18 | HH-00294-001 | 1/4-20 Hex Nut | 2 |
| 19 | HH-00457-006 | 1/4 Lockwasher | 2 |
| 20 | HH-00293-006 | 1/4-20x1 Hex Head Cap Screw | 2 |
| 21 | HH-00972-155 | 3/4" x 4" UNF Cap screw | 2 |
| 22 | HH-00973-007 | 3/4" Lock nut | 2 |
| 23* | 52363-C | Spreader Bar(23 1/8" wide) | 1 |
| 24* | 52364-C | Spreader Bar(32 1/8" wide)(not shown in the drawing) | 1 |

Items listed by * are not in the kit (They can be found under the vehicle mounting kit).

Installation Instructions:

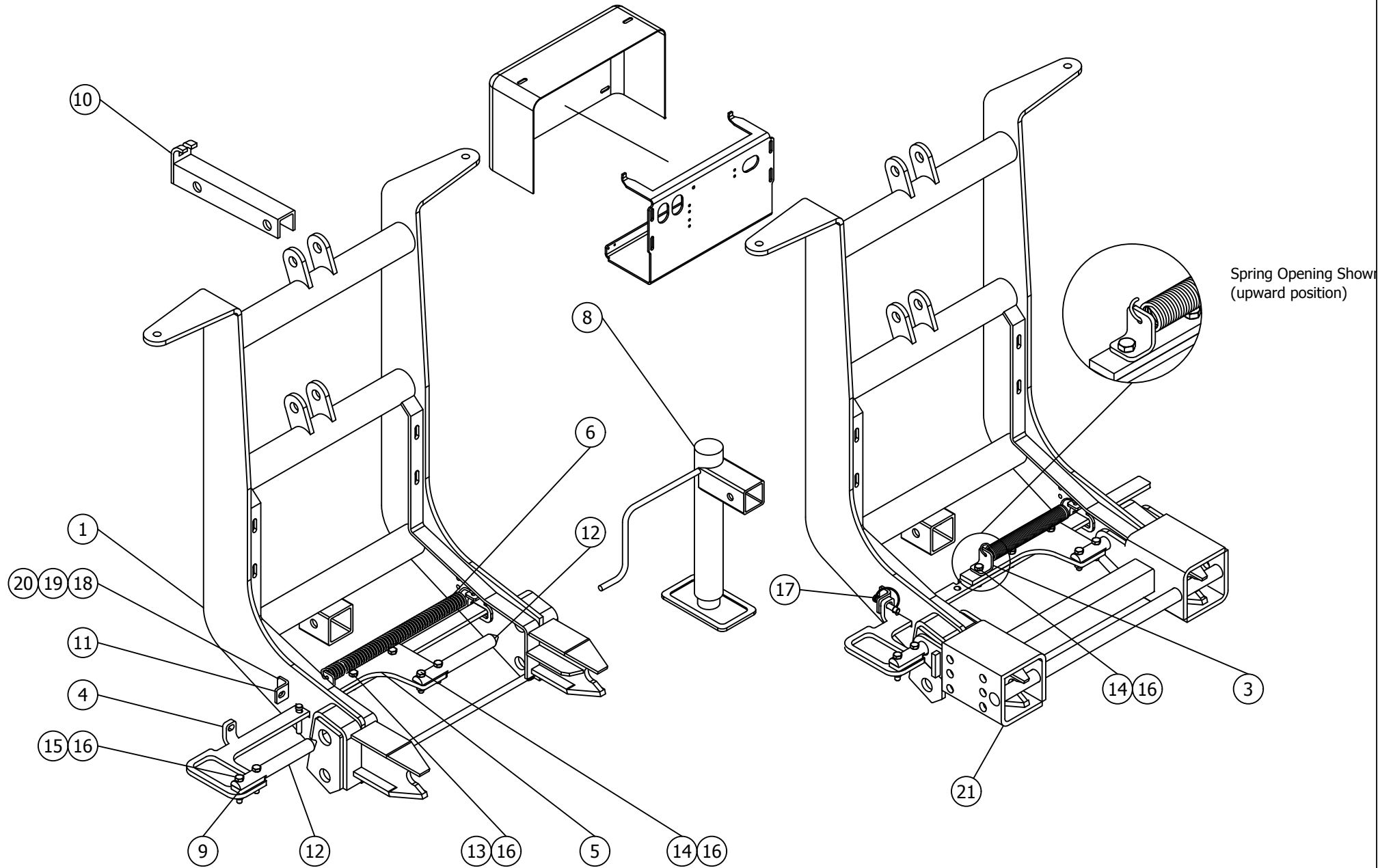
1. Install the pin (12) on the end of the handle (4) (install the spacer (9) between the pin (12) and the handle (4)) using 3/8" x 2" bolts and 3/8"nylon lock nuts (15) (16).
2. Insert partially assembled handle through the rectangular opening inside of the lift frame (1) and attach spring (6), top plate (5), spring bracket (3) and pin (12) as shown on the drawing.
3. Install the lock bracket (11) using 1/4" bolt (20), lock washer (19) and nut (18).
4. Do not tighten lock nuts (16) attached to the pins completely. Pins must float.



Arctic Equipment Manufacturing Corporation reserves the right under its product improvement policy to change construction or design details and furnish equipment when so altered without reference to illustrations or specifications

QLIII-HI

Lift Frame Mounting Kit



| QLIII-HI- lift frame mounting kit | | | |
|-----------------------------------|------------|----------------------------------|----------|
| Item | Part # | Description | Quantity |
| 1 | 53171-D-GA | Lift Frame Galvanized | 1 |
| 2 | 53215-M-GA | Single Lift Chain Kit Galvanized | 1 |

| 53215-M-GA Single Lift Chain Kit Galvanized | | | |
|---|--------------|---|----------|
| Item | Part # | Description | Quantity |
| 3 | 53179-M | Spring Bracket | 1 |
| 4 | 53177-M | Handle | 1 |
| 5 | 53178-M | Top Plate | 1 |
| 6 | 53182-N | Spring | 1 |
| 7 | 50999-B | Blade Marker (not shown in the drawing) | 2 |
| 8 | 52373-M | Jack Assembly | 1 |
| 9 | 53180-M | Spacer | 1 |
| 10 | 50069-C-GA | Lift Channel Single Chain Galvanized | 1 |
| 11 | 53174-M | Lock Bracket | 1 |
| 12 | 53181-M | Pin | 2 |
| 13 | HH-00293-050 | 3/8-16x1.1/4 Hex Head Cap Screw | 2 |
| 14 | HH-00293-051 | 3/8-16x1.1/2 Hex Head Cap Screw | 3 |
| 15 | HH-00293-053 | 3/8-16x2 Hex Head Cap Screw | 2 |
| 16 | HH-00340-001 | 3/8-16 Nut (Nylon Insert) | 7 |
| 17 | 53183-N | Hitch Pin | 1 |
| 18 | HH-00294-001 | 1/4-20 Hex Nut | 2 |
| 19 | HH-00457-006 | 1/4 Lock washer | 2 |
| 20 | HH-00293-006 | 1/4-20x1 Hex Head Cap Screw | 2 |
| 21* | 52363-C | Spreader Bar(23 1/8" wide) | 1 |
| 22* | 52364-C | Spreader Bar(32 1/8" wide)(not shown in the drawing) | 1 |

Items listed by * are not in the kit (They can be found under the vehicle mounting kit).

Installation

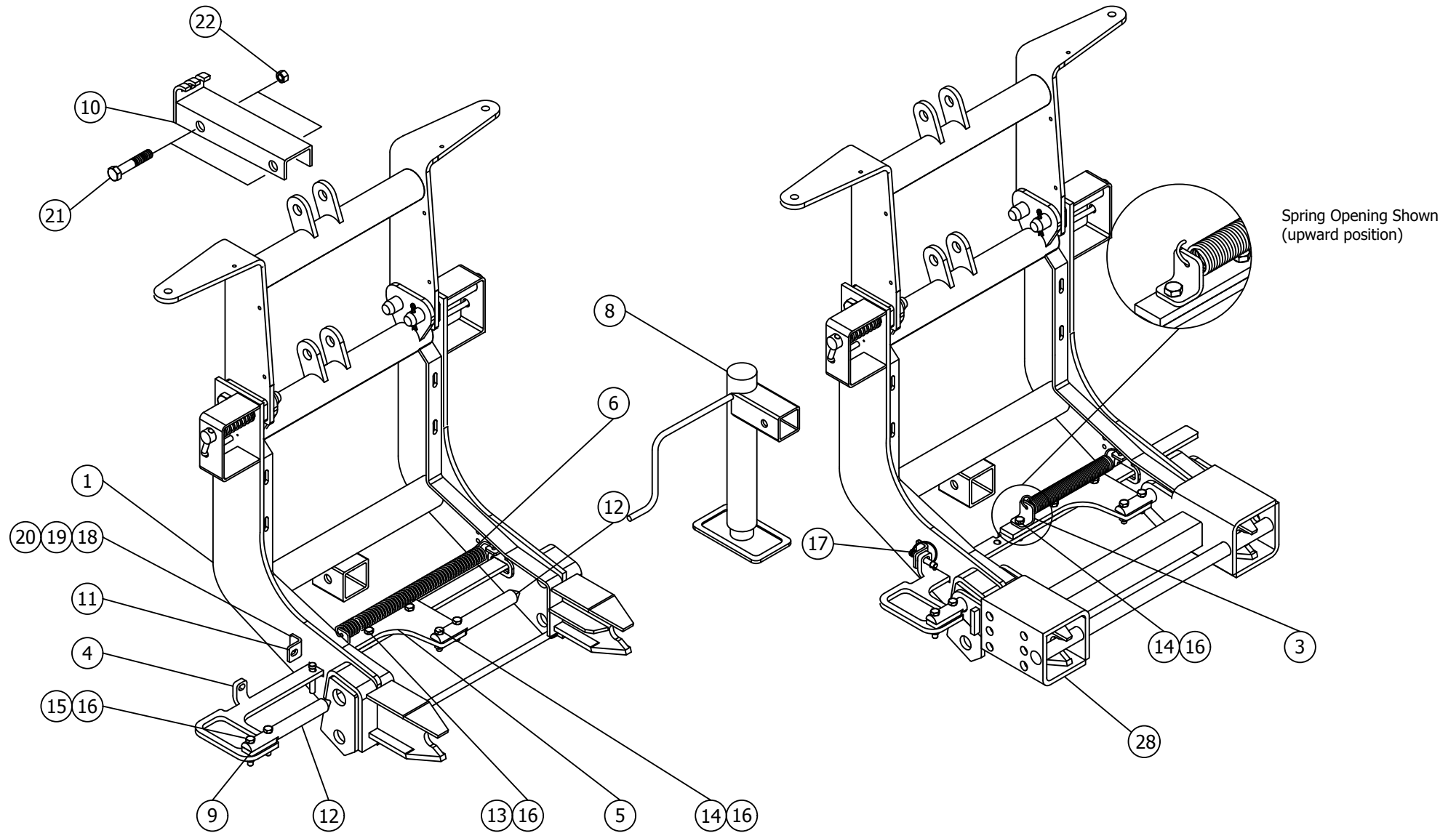
1. Install the pin (12) on the end of the handle (4) (install the spacer (9) between the pin (12) and the handle (4)) using 3/8" x 2" bolts and 3/8"nylon lockouts (15)(16).
2. Insert partially assembled handle through the rectangular opening inside of the lift frame (1) and attach spring (6), top plate (5), spring bracket (3) and pin (12) as shown on the drawing.
3. Install the lock bracket (11) using 1/4" bolt (20), lock washer (19) and nut (18).
4. Do not tighten lock nuts (16) attached to the pins completely. Pins must float.

Arctic Equipment Manufacturing Corporation reserves the right under its product improvement policy to change construction or design details and furnish equipment when so altered without reference to illustrations or specifications used.

QLIII-HI-TILTGA

Lift Frame Mounting Kit

(The lift frame is used for medium duty trucks with forward tilting hoods, to access engine compartment without removing a plow)



| QLIII-HI-TILTGA Mounting Kit | | | |
|------------------------------|------------|--|----------|
| Item | Part # | Description | Quantity |
| 1 | 53341-M-GA | Tilt Hi-Boy Lift Frame Assembly Galvanized | 1 |
| 2 | 53216-M-GA | Double Lift Chain Kit Galvanized | 1 |

| 53216-M Double Lift Chain Kit Galvanized | | | |
|--|--------------|--------------------------------------|----------|
| Item | Part # | Description | Quantity |
| 3 | 53179-M | Spring Bracket | 1 |
| 4 | 53177-M | Handle | 1 |
| 5 | 53178-M | Top Plate | 1 |
| 6 | 53182-N | Spring | 1 |
| 7* | 50999-B | Blade Marker | 1 |
| 8 | 52373-M | Jack Ass'y | 1 |
| 9 | 53180-M | Spacer | 1 |
| 10 | 52612-B-GA | Lift Channel Double Chain Galvanized | 1 |
| 11 | 53174-M | Lock Bracket | 1 |
| 12 | 53181-M | Pin | 2 |
| 13** | HH-00293-050 | 3/8-16x1.1/4 Hex Head Cap Screw | 2 |
| 14** | HH-00293-051 | 3/8-16x1.1/2 Hex Head Cap Screw | 3 |
| 15** | HH-00293-053 | 3/8-16x2 Hex Head Cap Screw | 2 |
| 16** | HH-00340-001 | 3/8-16 Nut (Nylon Insert) | 7 |
| 17** | 53183-N | Hitch Pin | 1 |
| 18** | HH-00294-001 | 1/4-20 Hex Nut | 2 |
| 19** | HH-00457-006 | 1/4 Lockwasher | 2 |
| 20** | HH-00293-006 | 1/4-20x1 Hex Head Cap Screw | 2 |
| 21 | HH-00972-155 | 3/4" x 4" UNF Cap screw | 2 |
| 22 | HH-00973-007 | 3/4" Lock nut | 2 |

* Note: Items are not shown on the drawing.

| 53341-M Tilt Hi-Boy Lift Frame Assembly | | | |
|---|--------------|--|----------|
| Item | Part # | Description | Quantity |
| 23 | 53339-D-GA | Lift Frame Top Assembly | 1 |
| 24 | 53340-D-GA | Lift Frame Bottom Assembly | 1 |
| 25 | 53338-A | Pin Weldment | 2 |
| 26 | 53325-A | Spreader Pin | 2 |
| 27 | HH-00020-164 | Cotter pin | 2 |
| 28** | 52363-C | Spreader Bar(23 1/8" wide) | 1 |
| 29** | 52364-C | Spreader Bar(32 1/8" wide)(not shown in the drawing) | 1 |

Items listed by ** are not in the kit (They can be found under the vehicle mounting kit).

Installation Instructions

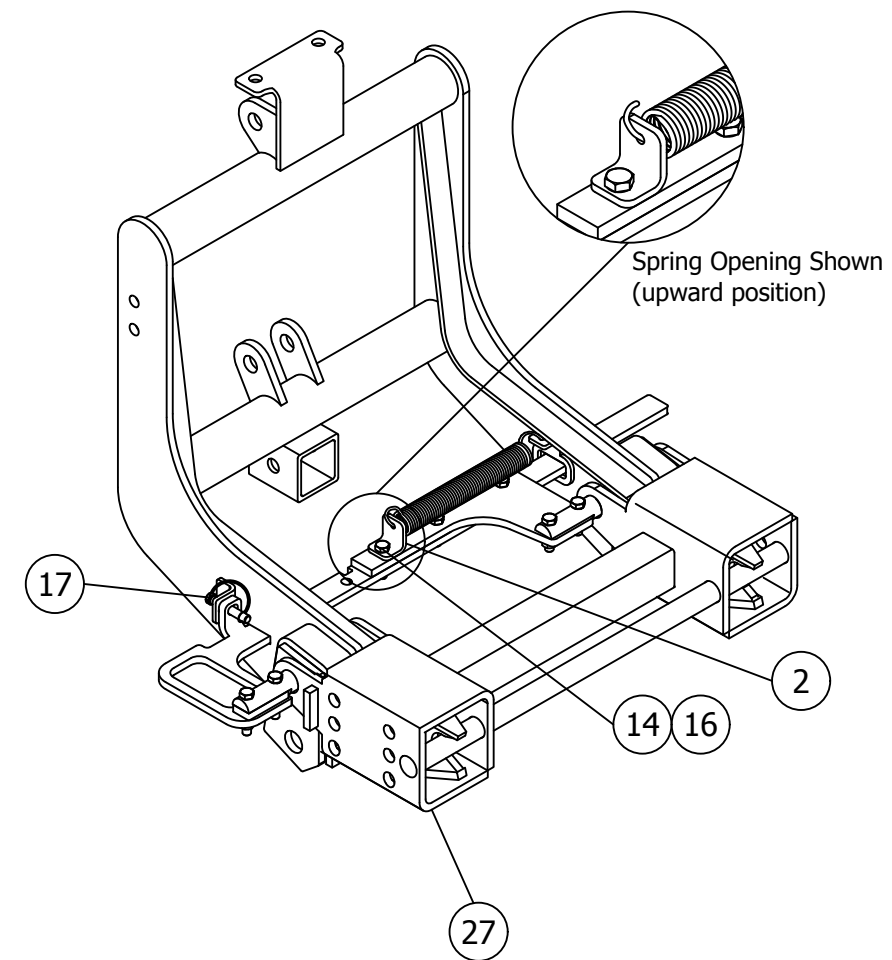
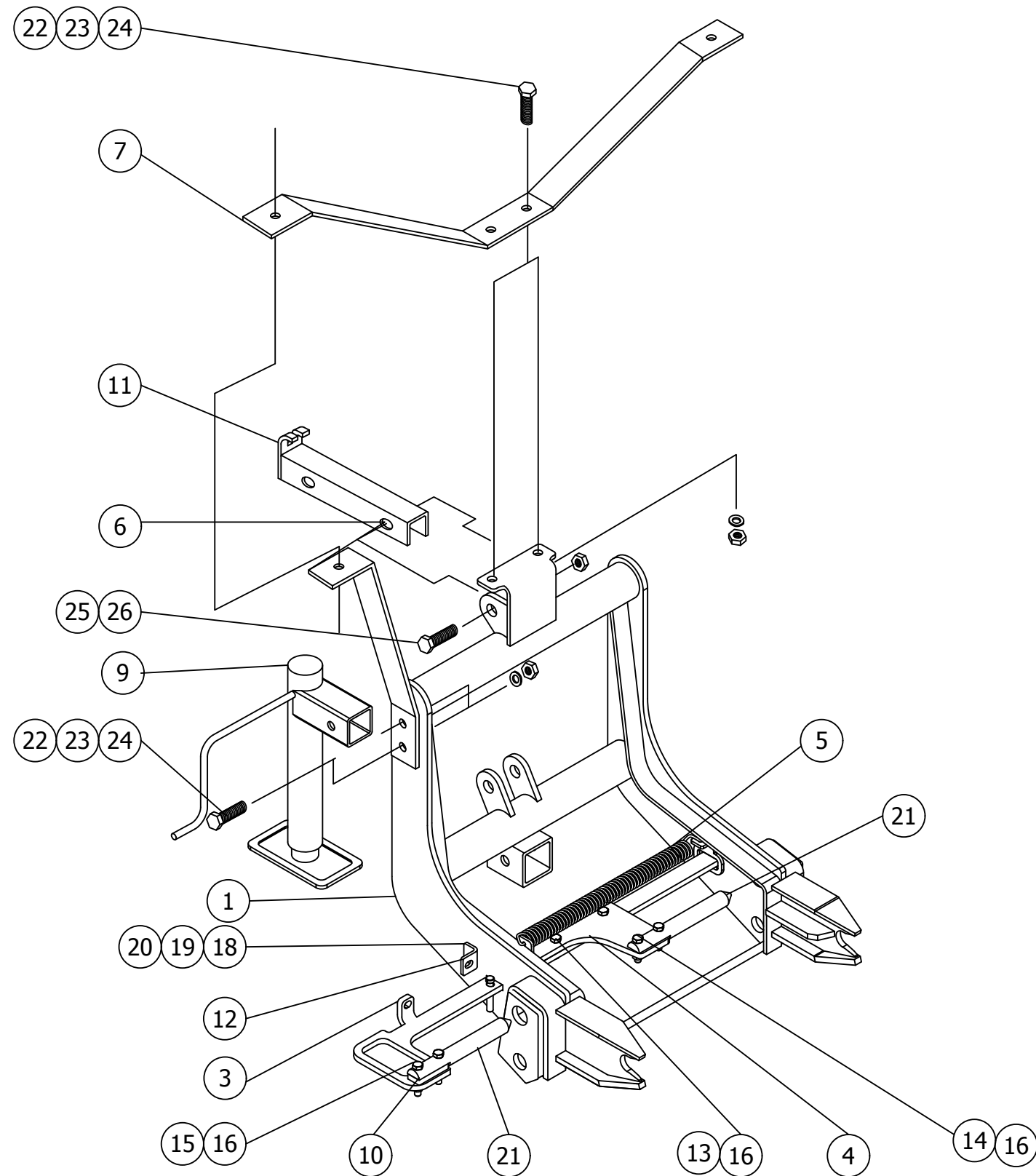
1. Install the pin (12) on the end of the handle (4) (install the spacer (9) between the pin (12) and the handle (4)) using 3/8" x 2" bolts and 3/8" nylon lock nuts (15)(16).
2. Insert partially assembled handle through the rectangular opening inside of the lift frame (1) and attach spring (6), top plate (5), spring bracket (3) and pin (12) as shown on the drawing.
3. Install the lock bracket (11) using 1/4" bolt (20), lock washer (19) and nut (18).
3. Do not tighten lock nuts (16) attached to the pins completely. Pins must float.



Arctic Equipment Manufacturing Corporation reserves the right under its product improvement policy to change construction or design details and furnish equipment when so altered without reference to illustrations or specifications used.

QLIII-MKB-GA

Lift Frame Mounting Kit



| QLIII-MKB-GA | | | |
|--------------|--------------|--|----------|
| Item | Part # | Description | Quantity |
| 1 | 53170-D-GA | Lift Frame Galvanized | 1 |
| 2 | 53179-M | Spring Bracket | 1 |
| 3 | 53177-M | Handle | 1 |
| 4 | 53178-M | Top Plate | 1 |
| 5 | 53182-N | Spring | 1 |
| 6 | 52208-B-GA | Light Brace Galvanized | 2 |
| 7 | 52209-B-GA | Antler Galvanized | 1 |
| 8 | 50999-B | Blade Marker | 2 |
| 9 | 52373-M | Jack Ass'y | 1 |
| 10 | 53180-M | Spacer | 1 |
| 11 | 50069-C-GA | Lift Channel Galvanized | 1 |
| 12 | 53174-M | Lock Bracket | 1 |
| 13 | HH-00293-050 | 3/8-16x1.1/4 Hex Head Cap Screw | 2 |
| 14 | HH-00293-051 | 3/8-16x1.1/2 Hex Head Cap Screw | 3 |
| 15 | HH-00293-053 | 3/8-16x2 Hex Head Cap Screw | 2 |
| 16 | HH-00340-001 | 3/8-16 Nut (Nylon Insert) | 7 |
| 17 | 53183-N | Hitch Pin | 1 |
| 18 | HH-00294-001 | 1/4-20 Hex Nut | 2 |
| 19 | HH-00457-006 | 1/4 Lock washer | 2 |
| 20 | HH-00293-006 | 1/4-20x1 Hex Head Cap Screw | 2 |
| 21 | 53181-M | Pin | 2 |
| 22 | HH-00972-090 | 1/2" x 1 1/2" Cap screw | 6 |
| 23 | HH-00457-001 | 1/2" Lock washer | 6 |
| 24 | HH-00460-002 | 1/2" Hex nut | 6 |
| 25 | HH-00972-153 | 3/4" x 3 1/2" UNF Capscrew | 1 |
| 26 | HH-00973-007 | 3/4" UNF Thin Collar Locknut | 1 |
| 27* | 52363-C | Spreader Bar(23 1/8" wide) | 1 |
| 28* | 52364-C | Spreader Bar(32 1/8" wide)(not shown in the drawing) | 1 |

Items listed by * are not in the kit (They can be found under the vehicle mounting kit).

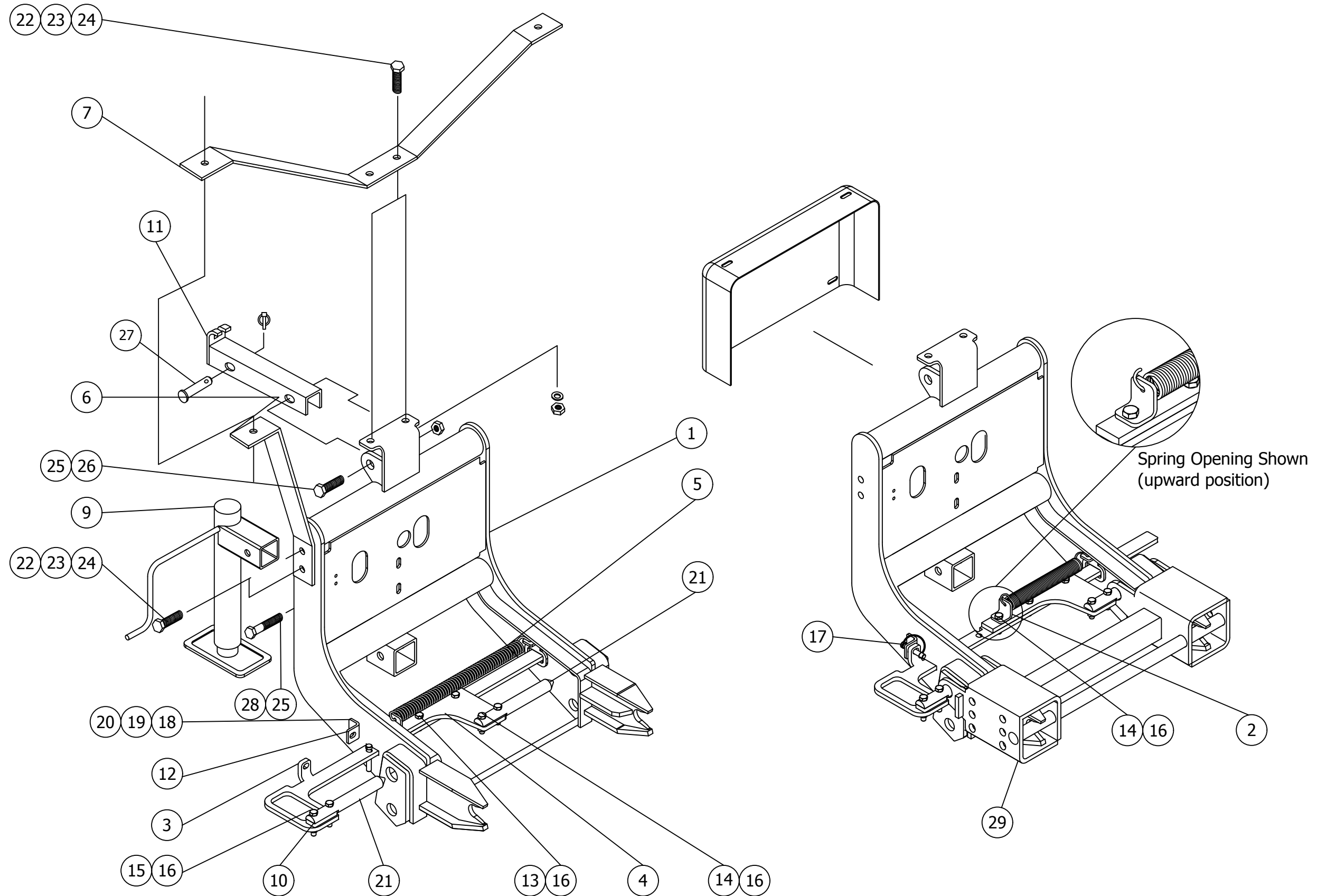
Installation:

1. Install the pin (21) on the end of the handle (3) (install the spacer (10) between the pin (21) and the handle (3)) using 3/8" x 2" bolts and 3/8"nylon lockouts (15) (16).
2. Insert partially assembled handle through the rectangular opening inside of the lift frame (1) and attach spring (5), top plate (4), spring bracket (2) and pin (21) as shown on the drawing.
3. Install the lock bracket (12) using 1/4" bolt (20), lock washer (19) and nut (18).
4. Do not tighten lock nuts (16) attached to the pins completely. Pins must float.

Arctic Equipment Manufacturing Corporation reserves the right under its product improvement policy to change construction or design details and furnish equipment when so altered without reference to illustrations or specifications used.

QLIII-MKB-M3493

Lift Frame Mounting Kit



| QLIII-MKB-M3493 | | | |
|-----------------|--------------|---|----------|
| Item | Part # | Description | Quantity |
| 1 | 53424-D | Lift Frame | 1 |
| 2 | 53179-M | Spring Bracket | 1 |
| 3 | 53177-M | Handle | 1 |
| 4 | 53178-M | Top Plate | 1 |
| 5 | 53182-N | Spring | 1 |
| 6 | 52208-B-GA | Light Brace Galvanized | 2 |
| 7 | 52209-B-GA | Antler Galvanized | 1 |
| 8 | 50999-B | Blade Marker | 2 |
| 9 | 52373-M | Jack Ass'y | 1 |
| 10 | 53180-M | Spacer | 1 |
| 11 | 50069-C-GA | Lift Channel Galvanized | 1 |
| 12 | 53174-M | Lock Bracket | 1 |
| 13 | HH-00293-050 | 3/8-16x1.1/4 Hex Head Cap Screw | 2 |
| 14 | HH-00293-051 | 3/8-16x1.1/2 Hex Head Cap Screw | 3 |
| 15 | HH-00293-053 | 3/8-16x2 Hex Head Cap Screw | 2 |
| 16 | HH-00340-001 | 3/8-16 Nut (Nylon Insert) | 7 |
| 17 | 53183-N | Hitch Pin | 1 |
| 18 | HH-00294-001 | 1/4-20 Hex Nut | 2 |
| 19 | HH-00457-006 | 1/4 Lock washer | 2 |
| 20 | HH-00293-006 | 1/4-20x1 Hex Head Cap Screw | 2 |
| 21 | 53181-M | Pin | 2 |
| 22 | HH-00972-090 | 1/2" x 1 1/2" Cap screw | 6 |
| 23 | HH-00457-001 | 1/2" Lock washer | 6 |
| 24 | HH-00460-002 | 1/2" Hex nut | 6 |
| 25 | HH-00972-153 | 3/4" x 3 1/2" UNF Capscrew | 1 |
| 26 | HH-00973-007 | 3/4" UNF Thin Collar Locknut | 1 |
| 27 | 52757-M | Pin | 1 |
| 28 | HH-00972-156 | 3/4" x 4 1/2" UNF Capscrew | 1 |
| 29* | 52363-C | Spreader Bar(23 1/8" wide) | 1 |
| 30* | 52364-C | Spreader Bar(32 1/8" wide) (not shown in the drawing) | 1 |

Items listed by * are not in the kit (They can be found under the vehicle mounting kit).

Installation

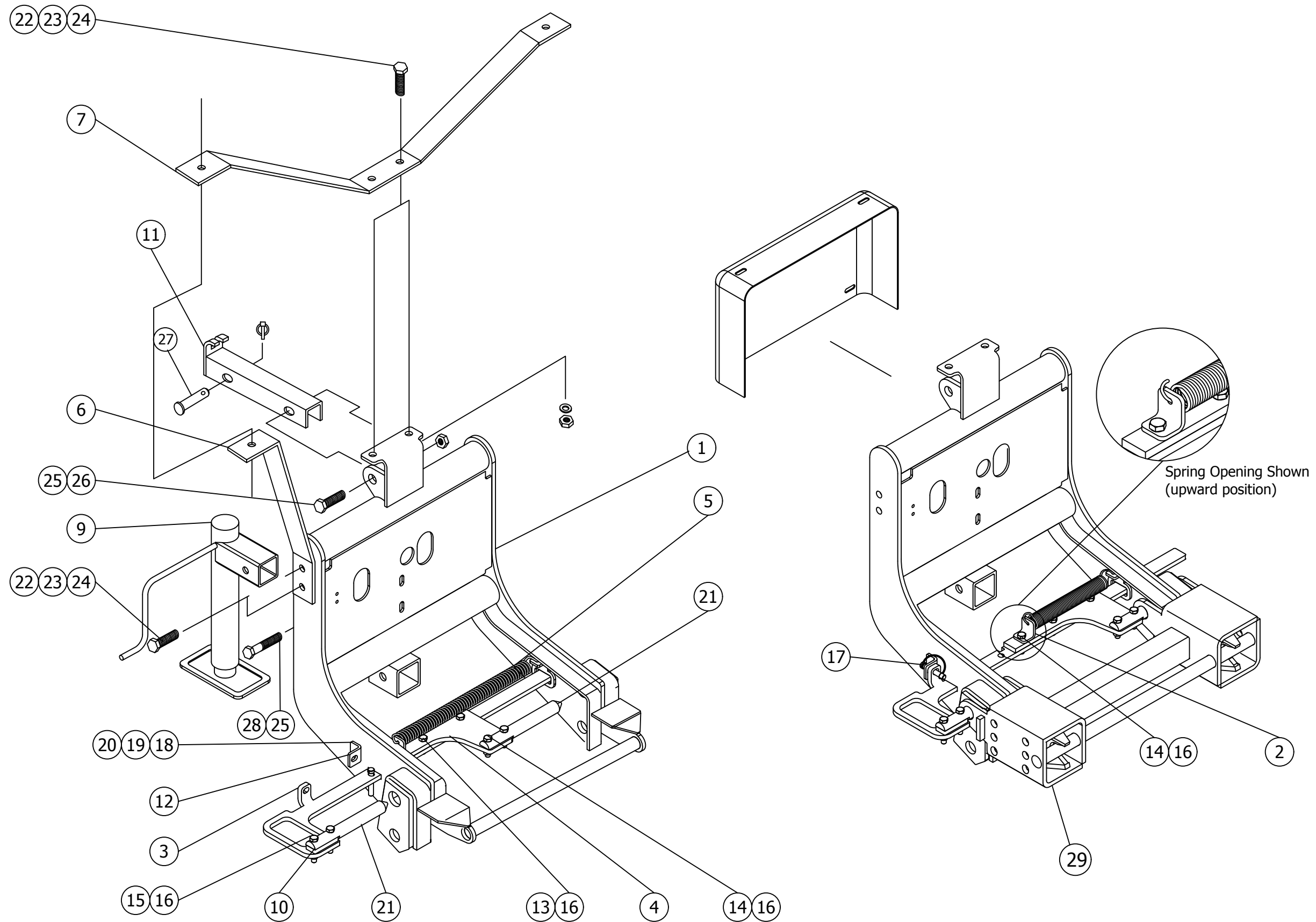
1. Install the pin (21) on the end of the handle (3) (install the spacer (10) between the pin (21) and the handle (3)) using 3/8" x 2" bolts and 3/8"nylon lockouts (15) (16).
2. Insert partially assembled handle through the rectangular opening inside of the lift frame (1) and attach spring (5), top plate (4), spring bracket (2) and pin (21) as shown on the drawing.
3. Install the lock bracket (12) using 1/4" bolt (20), lock washer (19) and nut (18).

4. Do not tighten lock nuts (16) attached to the pins completely. Pins must float.

Arctic Equipment Manufacturing Corporation reserves the right under its product improvement policy to change construction or design details and furnish equipment when so altered without reference to illustrations or specifications used.

QLIV-MKB-M3493

Lift Frame Mounting Kit



| QLIV-MKB-M3493 | | | |
|----------------|--------------|---|----------|
| Item | Part # | Description | Quantity |
| 1 | 53564-D | Lift Frame | 1 |
| 2 | 53179-M | Spring Bracket | 1 |
| 3 | 53177-M | Handle | 1 |
| 4 | 53178-M | Top Plate | 1 |
| 5 | 53182-N | Spring | 1 |
| 6 | 52208-B | Light Brace | 2 |
| 7 | 52209-B | Antler | 1 |
| 8 | 50999-B | Blade Marker | 2 |
| 9 | 52373-M | Jack Ass'y | 1 |
| 10 | 53180-M | Spacer | 1 |
| 11 | 50069-C-GA | Lift Channel Galvanized | 1 |
| 12 | 53174-M | Lock Bracket | 1 |
| 13 | HH-00293-050 | 3/8-16x1.1/4 Hex Head Cap Screw | 2 |
| 14 | HH-00293-051 | 3/8-16x1.1/2 Hex Head Cap Screw | 3 |
| 15 | HH-00293-053 | 3/8-16x2 Hex Head Cap Screw | 2 |
| 16 | HH-00340-001 | 3/8-16 Nut (Nylon Insert) | 7 |
| 17 | 53183-N | Hitch Pin | 1 |
| 18 | HH-00294-001 | 1/4-20 Hex Nut | 2 |
| 19 | HH-00457-006 | 1/4 Lock washer | 2 |
| 20 | HH-00293-006 | 1/4-20x1 Hex Head Cap Screw | 2 |
| 21 | 53181-M | Pin | 2 |
| 22* | HH-00972-090 | 1/2" x 1 1/2" Cap screw | 6 |
| 23* | HH-00457-001 | 1/2" Lock washer | 6 |
| 24* | HH-00460-002 | 1/2" Hex nut | 6 |
| 25* | HH-00972-153 | 3/4" x 3 1/2" UNF Capscrew | 1 |
| 26 | HH-00973-007 | 3/4" UNF Thin Collar Locknut | 1 |
| 27 | 52757-M | Pin | 1 |
| 28 | HH-00972-156 | 3/4" x 4 1/2" UNF Capscrew | 1 |
| 29* | 53551-C | Spreader Bar(23 1/8" wide) | 1 |
| 30* | 53507-C | Spreader Bar(32 1/8" wide) (not shown in the drawing) | 1 |

Items listed by * are not in the kit (They can be found under the vehicle mounting kit).

Installation

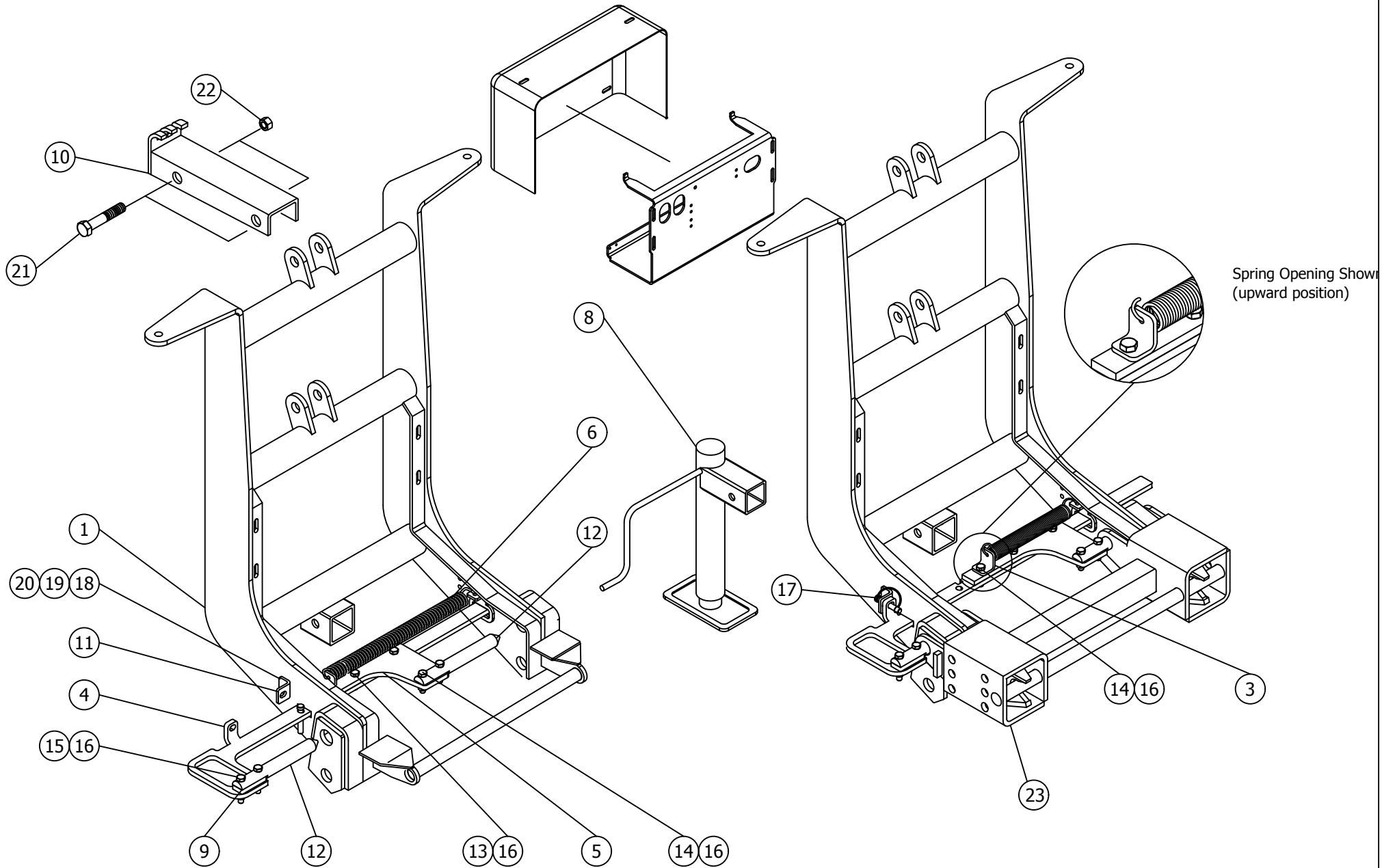
1. Install the pin (21) on the end of the handle (3) (install the spacer (10) between the pin (21) and the handle (3)) using 3/8" x 2" bolts and 3/8"nylon lockouts (15) (16).
2. Insert partially assembled handle through the rectangular opening inside of the lift frame (1) and attach spring (5), top plate (4), spring bracket (2) and pin (21) as shown on the drawing.

3. Install the lock bracket (12) using 1/4" bolt (20), lock washer (19) and nut (18).
4. Do not tighten lock nuts (16) attached to the pins completely. Pins must float.

Arctic Equipment Manufacturing Corporation reserves the right under its product improvement policy to change construction or design details and furnish equipment when so altered without reference to illustrations or specifications used.

QLIV-HI-DLC

Lift Frame Mounting Kit



| QLIV-HI-DLC Lift Frame Mounting kit | | | |
|-------------------------------------|--------------|---|----------|
| Item | Part # | Description | Quantity |
| 1 | 53517-D | Lift Frame Galvanized | 1 |
| 2 | 53216-M-GA | Double Lift Chain Kit Galvanized | 1 |
| 53216-M-GA Double Lift Chain Kit | | | |
| Item | Part # | Description | Quantity |
| 3 | 53179-M | Spring Bracket | 1 |
| 4 | 53177-M | Handle | 1 |
| 5 | 53178-M | Top Plate | 1 |
| 6 | 53182-N | Spring | 1 |
| 7 | 50999-B | Blade Marker | 1 |
| 8 | 52373-M | Jack Assembly | 1 |
| 9 | 53180-M | Spacer | 1 |
| 10 | 52612-B | Lift Channel Double Chain | 1 |
| 11 | 53174-M | Lock Bracket | 1 |
| 12 | 53181-M | Pin | 2 |
| 13 | HH-00293-050 | 3/8-16x1.1/4 Hex Head Cap Screw | 2 |
| 14 | HH-00293-051 | 3/8-16x1.1/2 Hex Head Cap Screw | 3 |
| 15 | HH-00293-053 | 3/8-16x2 Hex Head Cap Screw | 2 |
| 16 | HH-00340-001 | 3/8-16 Nut (Nylon Insert) | 7 |
| 17 | 53183-N | Hitch Pin | 1 |
| 18 | HH-00294-001 | 1/4-20 Hex Nut | 2 |
| 19 | HH-00457-006 | 1/4 Lockwasher | 2 |
| 20 | HH-00293-006 | 1/4-20x1 Hex Head Cap Screw | 2 |
| 21 | HH-00972-155 | 3/4" x 4" UNF Cap screw | 2 |
| 22 | HH-00973-007 | 3/4" Lock nut | 2 |
| 23* | 53551-C | Spreader Bar(23 1/8" wide) | 1 |
| 24* | 53507-C | Spreader Bar(32 1/8" wide)(not shown in the drawing) | 1 |

Items listed by * are not in the kit (They can be found under the vehicle mounting kit).

Installation

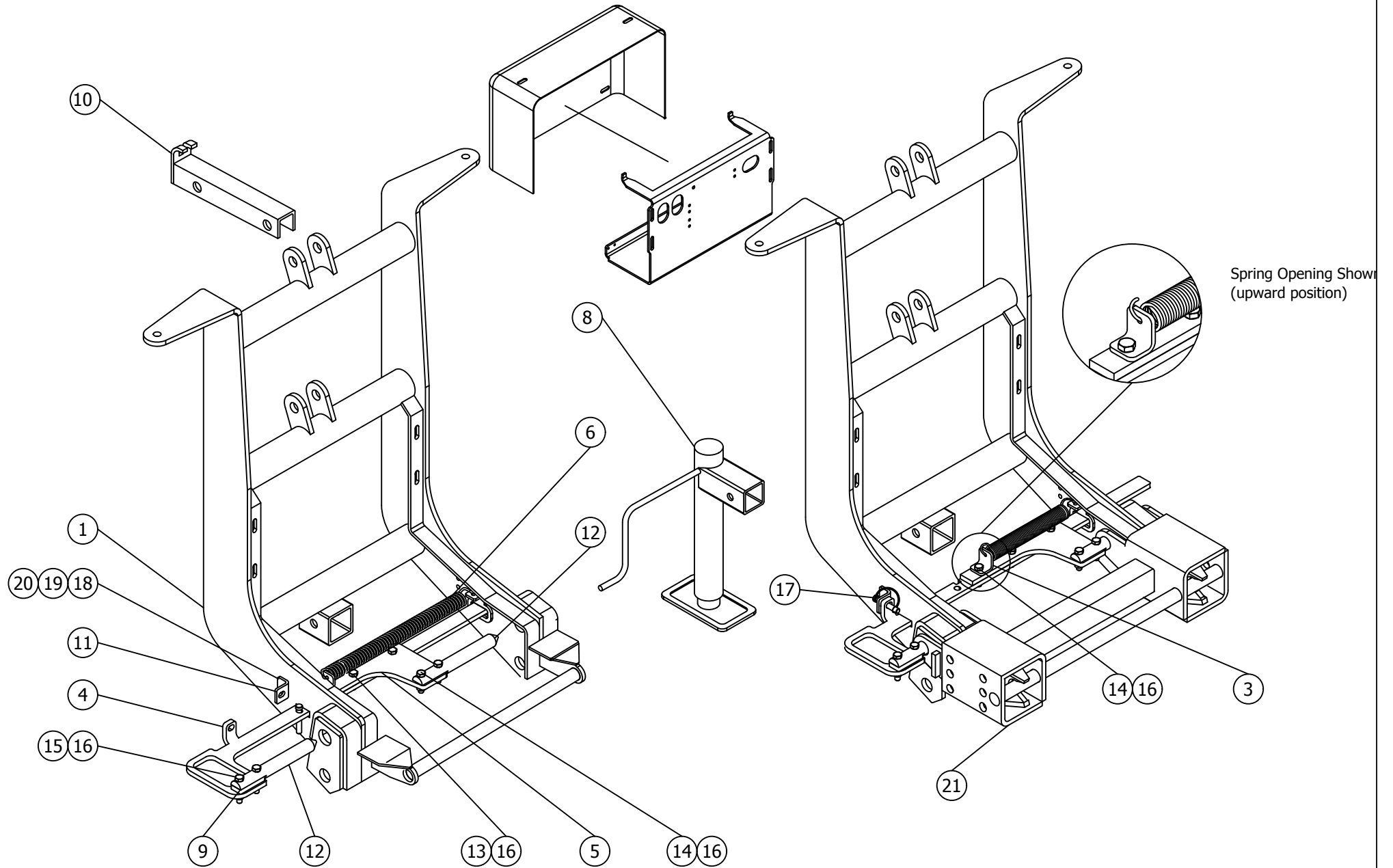
1. Install the pin (12) on the end of the handle (4) (install the spacer (9) between the pin (12) and the handle (4)) using 3/8" x 2" bolts and 3/8"nylon lock nuts (15) (16).
2. Insert partially assembled handle through the rectangular opening inside of the lift frame (1) and attach spring (6), top plate (5), spring bracket (3) and pin (12) as shown on the drawing.
3. Install the lock bracket (11) using 1/4" bolt (20), lock washer (19) and nut (18).
4. Do not tighten lock nuts (16) attached to the pins completely. Pins must float.



Arctic Equipment Manufacturing Corporation reserves the right under its product improvement policy to change construction or design details and furnish equipment when so altered without reference to illustrations or specifications used.

QLIV-HI

Lift Frame Mounting Kit



| QLIV-HI Mounting Kit | | | |
|----------------------|------------|----------------------------------|----------|
| Item | Part # | Description | Quantity |
| 1 | 53517-D | Lift Frame | 1 |
| 2 | 53215-M-GA | Single Lift Chain Kit Galvanized | 1 |

| 53215-M-GA Single Lift Chain Kit Galvanized | | | |
|---|--------------|--|----------|
| Item | Part # | Description | Quantity |
| 3 | 53179-M | Spring Bracket | 1 |
| 4 | 53177-M | Handle | 1 |
| 5 | 53178-M | Top Plate | 1 |
| 6 | 53182-N | Spring | 1 |
| 7* | 50999-B | Blade Marker | 2 |
| 8 | 52373-M | Jack Ass'y | 1 |
| 9 | 53180-M | Spacer | 1 |
| 10 | 50069-C-GA | Lift Channel Single Chain | 1 |
| 11 | 53174-M | Lock Bracket | 1 |
| 12 | 53181-M | Pin | 2 |
| 13 | HH-00293-050 | 3/8-16x1.1/4 Hex Head Cap Screw | 2 |
| 14 | HH-00293-051 | 3/8-16x1.1/2 Hex Head Cap Screw | 3 |
| 15 | HH-00293-053 | 3/8-16x2 Hex Head Cap Screw | 2 |
| 16 | HH-00340-001 | 3/8-16 Nut (Nylon Insert) | 7 |
| 17 | 53183-N | Hitch Pin | 1 |
| 18 | HH-00294-001 | 1/4-20 Hex Nut | 2 |
| #19 | HH-00457-006 | 1/4 Lockwasher | 2 |
| 20 | HH-00293-006 | 1/4-20x1 Hex Head Cap Screw | 2 |
| 21* | 53551-C | Spreader Bar(23 1/8" wide) | 1 |
| 22* | 53507-C | Spreader Bar(32 1/8" wide)(not shown in the drawing) | 1 |

Items listed by * are not in the kit (They can be found under the vehicle mounting kit).

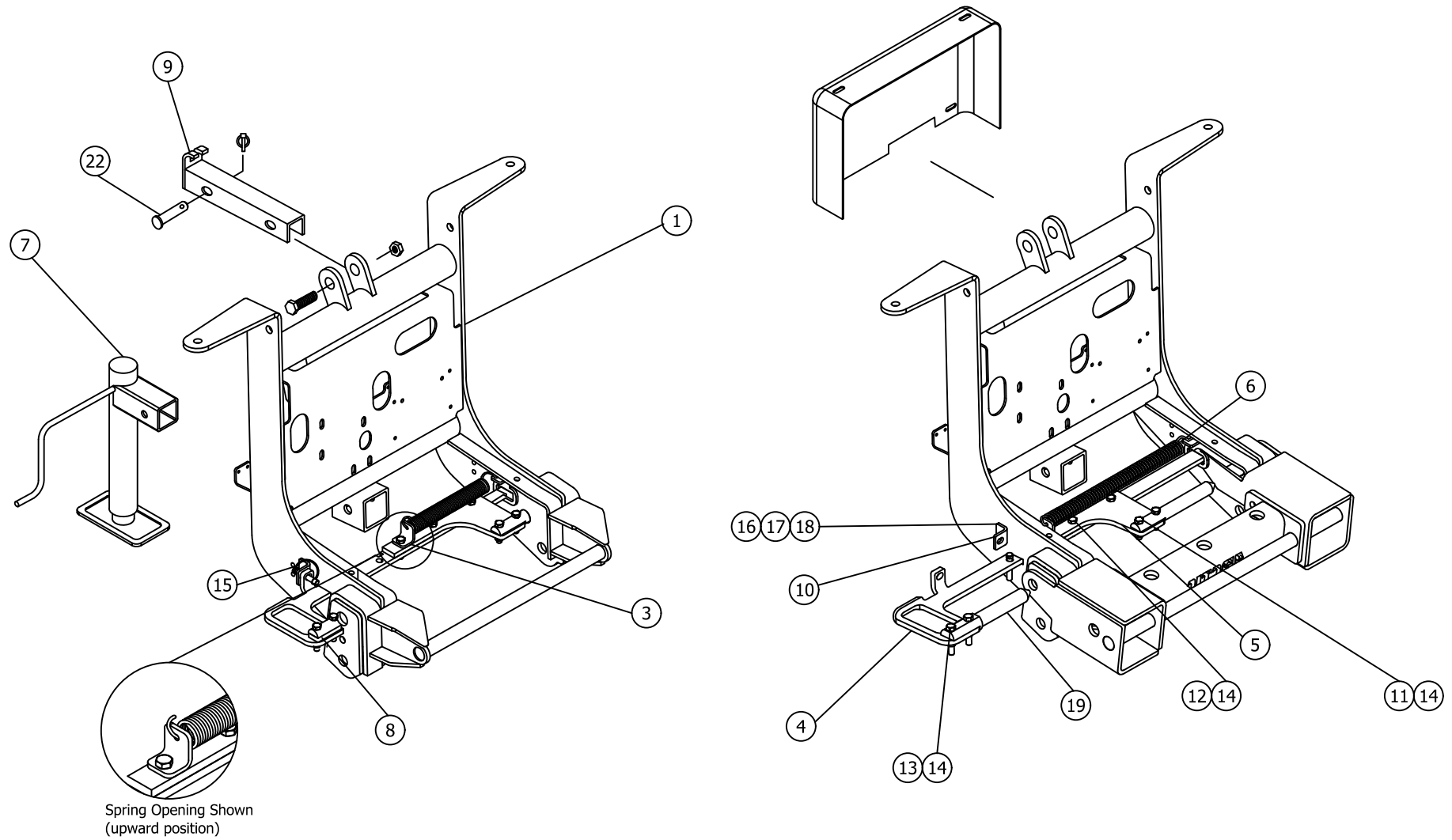
Installation

1. Install the pin (12) on the end of the handle (4) (install the spacer (9) between the pin (12) and the handle (4)) using 3/8" x 2" bolts and 3/8"nylon lockouts (15)(16).
2. Insert partially assembled handle through the rectangular opening inside of the lift frame (1) and attach spring (6), top plate (5), spring bracket (3) and pin (12) as shown on the drawing.
3. Install the lock bracket (11) using 1/4" bolt (20), lock washer (19) and nut (18).
4. Do not tighten lock nuts (16) attached to the pins completely. Pins must float.

Arctic Equipment Manufacturing Corporation reserves the right under its product improvement policy to change construction or design details and furnish equipment when so altered without reference to illustrations or specifications used.

QL - HOP

Lift Frame mounting kit



| Lift frame QL- HOP | | | |
|--------------------|---------|------------------|----------|
| Item | Part # | Description | Quantity |
| 1 | 53661-D | Lift Frame | 1 |
| 2 | 53704-M | QL-HOP Parts Box | 1 |

| 53704-M QL-HOP Parts Box | | | |
|--------------------------|--------------|---------------------------------|----------|
| Item | Part# | Description | Quantity |
| 3 | 53179-M | QLIII Lift frame Spring Bracket | 1 |
| 4 | 53177-M | QLIII Lock Handle | 1 |
| 5 | 53178-M | Top Plate QLIII Lock | 1 |
| 6 | 53182-N | QLIII Lock Spring | 1 |
| 7 | 52373-M | Jack Ass'y | 1 |
| 8 | 53180-M | QLIII Lock Spacer | 1 |
| 9 | 50069-C-GA | Lift Channel Galvanized | 1 |
| 10 | 53174-M | QLIII Lock Bracket | 1 |
| 11 | HH-00293-050 | 3/8-16x1.1/4 Hex Head Cap Screw | 2 |
| 12 | HH-00293-051 | 3/8-16x1.1/2 Hex Head Cap Screw | 3 |
| 13 | HH-00293-053 | 3/8-16x2 Hex Head Cap Screw | 2 |
| 14 | HH-00340-001 | 3/8-16 Nut (Nylon Insert) | 7 |
| 15 | 53183-N | Hitch Pin | 1 |
| 16 | HH-00294-001 | 1/4-20 Hex Nut | 2 |
| 17 | HH-00457-006 | 1/4 Lock washer | 2 |
| 18 | HH-00293-006 | 1/4-20x1 Hex Head Cap Screw | 2 |
| 19 | 53681-B | 3/4" Pin – Homeowner Plow | 2 |
| 20* | HH-00972-153 | 3/4" x 3 1/2" UNF Cap screw | 1 |
| 21* | HH-00973-007 | 3/4" UNF Thin Collar Locknut | 1 |
| 22 | 52757-M | Pin Ass'y | 1 |
| 23* | HH-00972-156 | 3/4" x 4 1/2" UNF Cap screw | 1 |
| 24* | 50999-B | Blade guides | 2 |

Items marked with * are not shown on the drawing

Installation Instructions

1. Install the pin (19) on the end of the handle (4) (install the spacer (8) between the pin (19) and the handle (4)) using 3/8" x 2" bolts and 3/8" nylon lockouts (13) (14).
2. Insert partially assembled handle through the rectangular opening inside of the lift frame (1) and attach spring (6), top plate (5), spring bracket (3) and pin (19) as shown on the drawing.
3. Install the lock bracket (10) using 1/4" bolt (18), lock washer (17) and nut (16).
4. Do not tighten lock nuts (14) attached to the pins completely. Pins must float

Arctic Equipment Manufacturing Corporation reserves the right under its product improvement policy to change construction or design details and furnish equipment when so altered without reference to illustrations or specifications used.