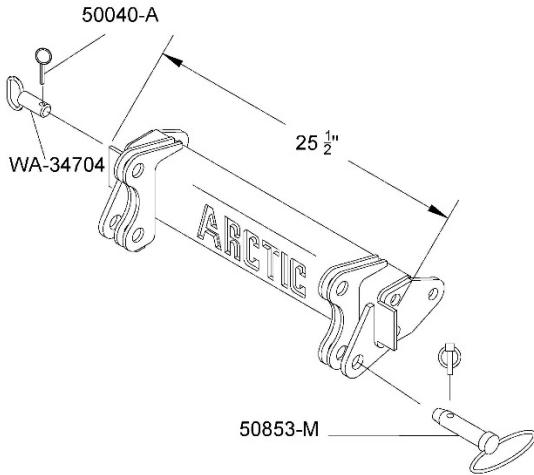
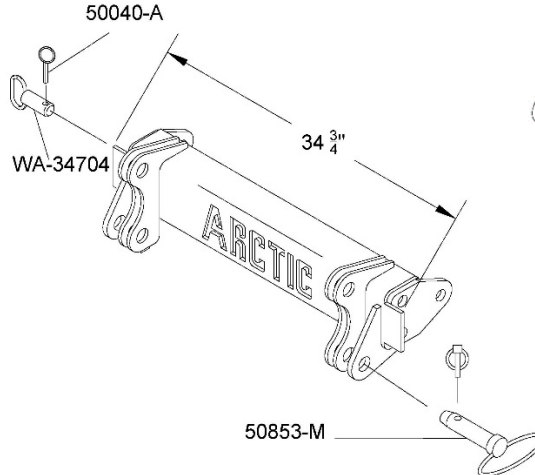


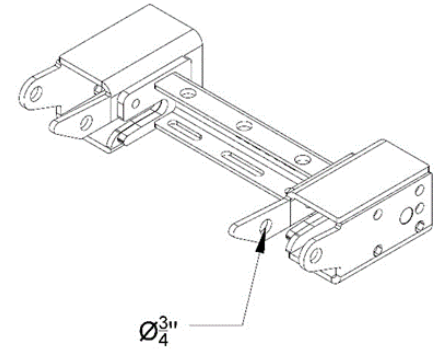
QLI Spreader Bar (Short)  
(52166-C)



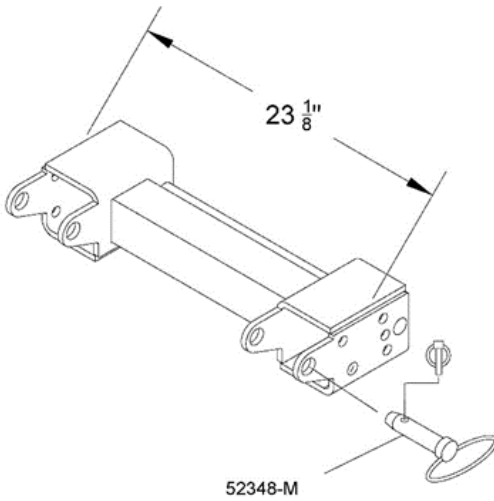
QLI Spreader bar (Long)  
(52310-D)



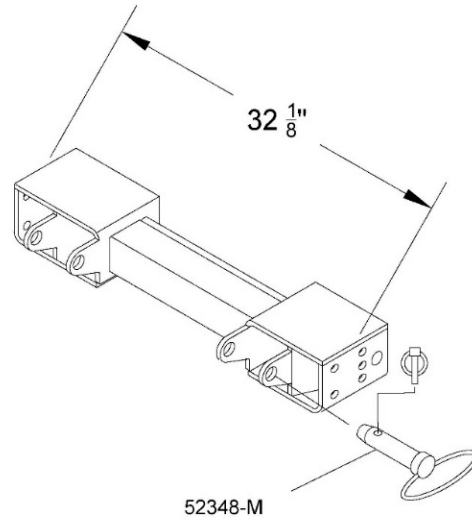
QL-HOP Spreader Bar  
(53685-C)



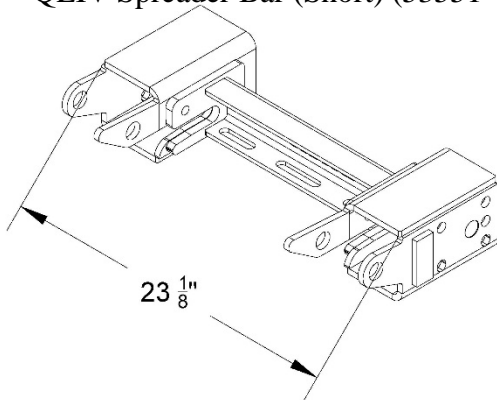
QLII Spreader bar (Short)  
(52363-C)



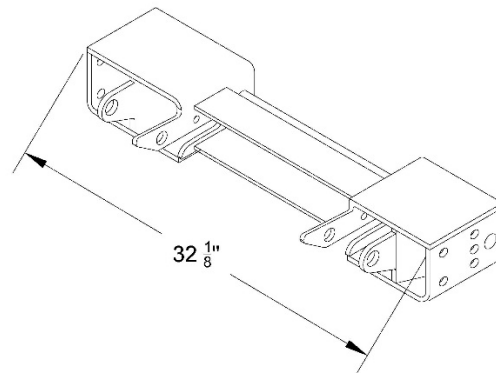
QLII Spreader bar (Long)  
(52364-C)



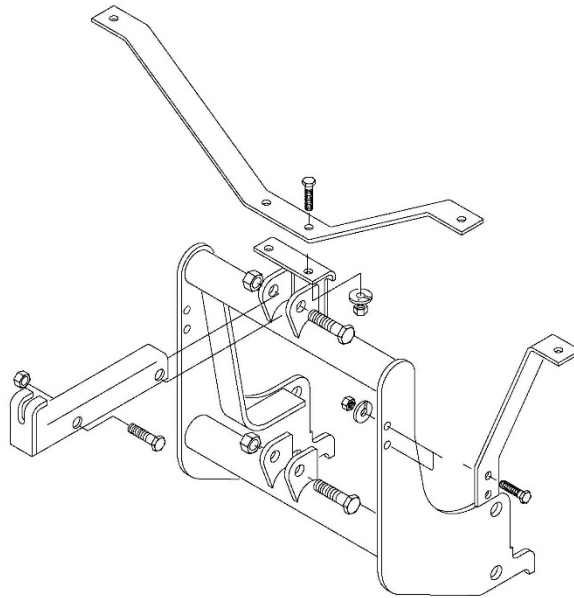
QLIV Spreader Bar (Short) (53551-C)



QLIV Spreader Bar (Long) (53507-C)



Click on the lift frames below to view full details about them



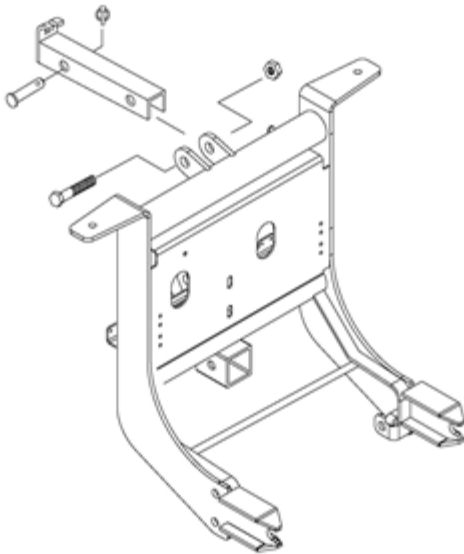
**QLI- MKB**

Quick Link I, low mount

Assembles to QLI Spreader bar only.

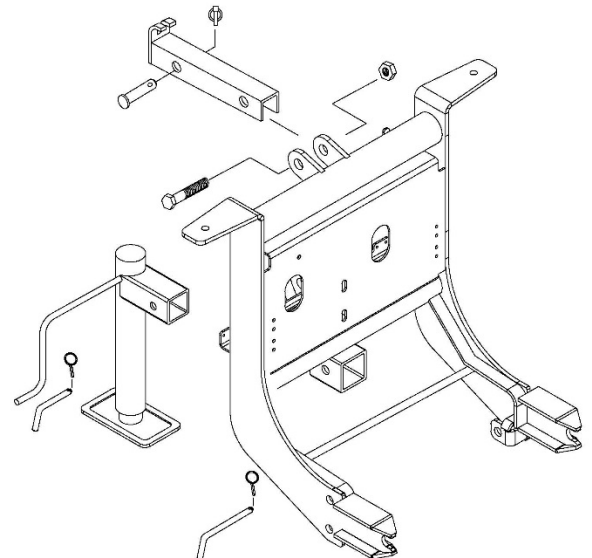
---

### Low mount lift frames for light duty plow



**QLII-MKBX-GA**

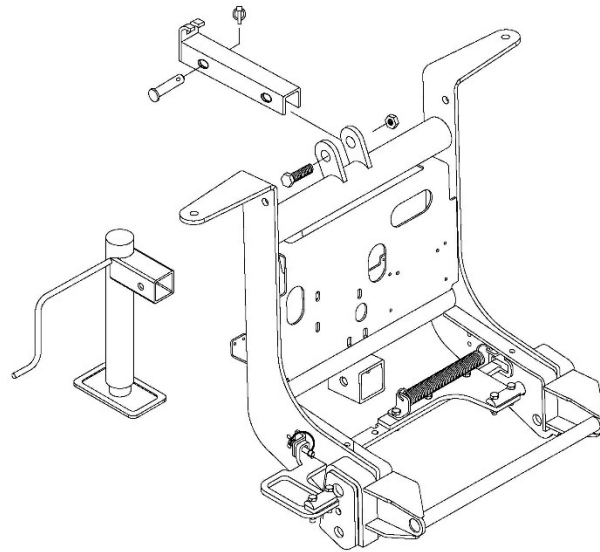
Quick Link II, low mount (used prior 2014)



**QLII-MKBX-M3493**

Quick Link II, low mount

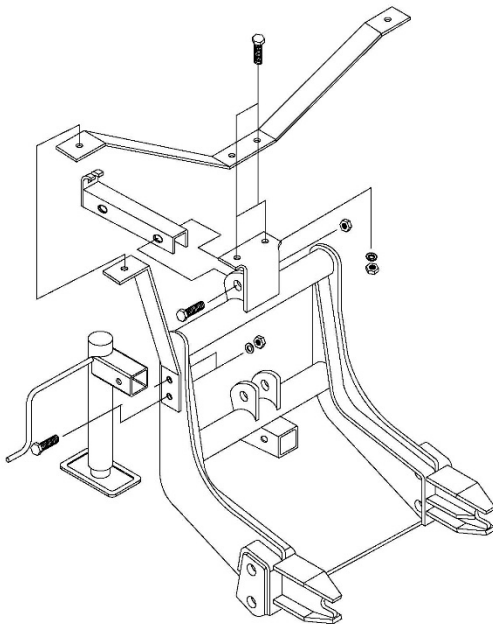
### Low Mount lift frame for Homeowner Plow



**QL-HOP**

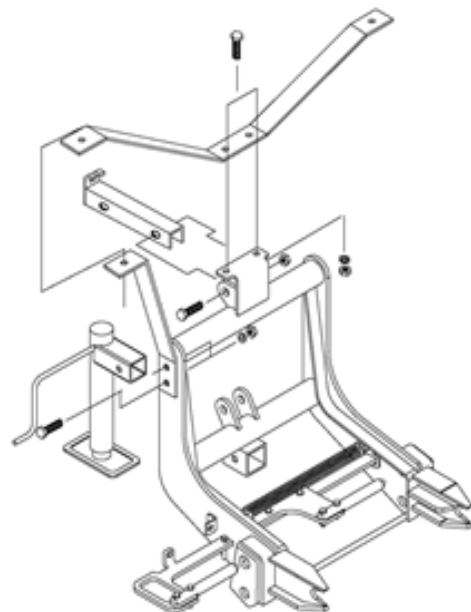
Homeowner lift frame

### Low Mount lift frames for M673F power unit



**QLII-MKB**

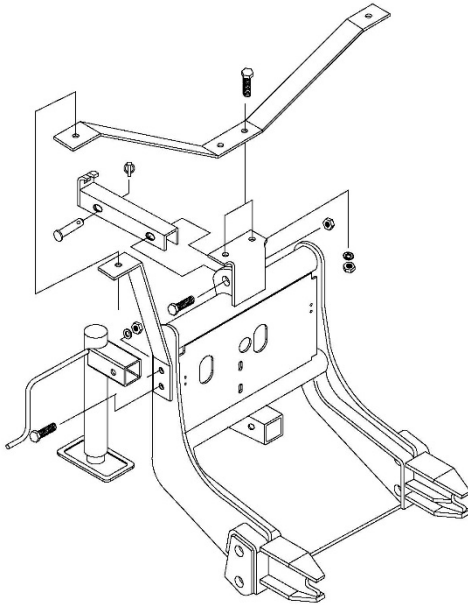
Quick Link II, low mount



**QLIII-MKB-GA**

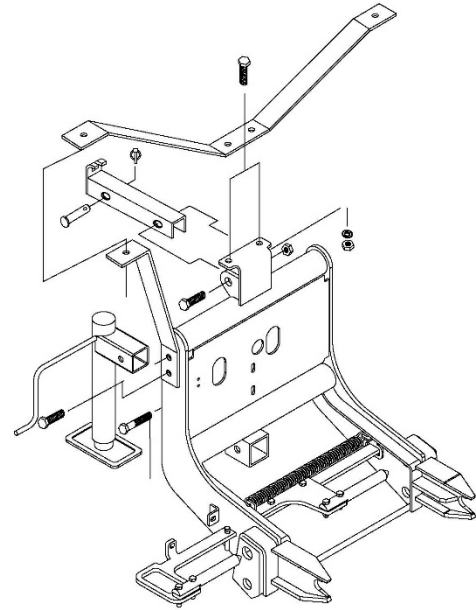
Quick Link III, low mount

Low Mount lift frames



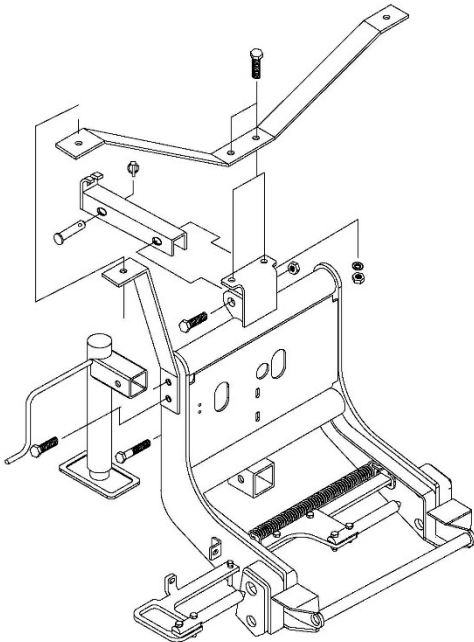
**QLII-MKB-M3493**

Quick Link II, low mount



**QLIII-MKB-M3493**

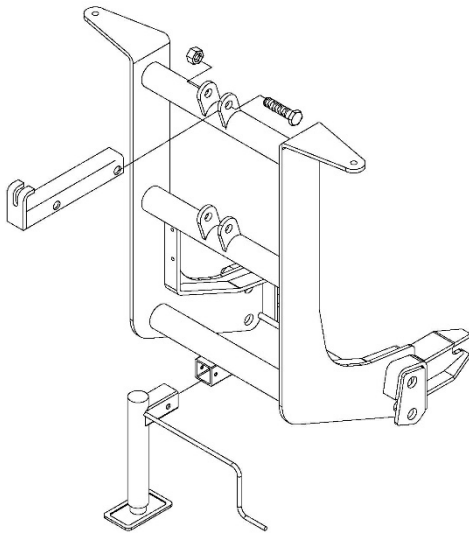
Quick Link III, low mount



**QLIV-MKB-M3493**

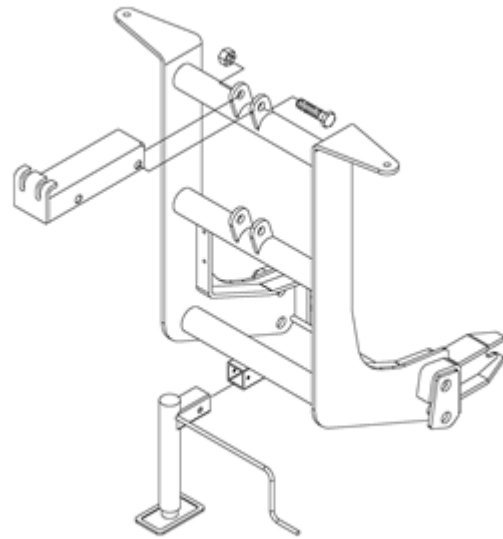
Quick Link IV, low mount

Hi boy Lift frames



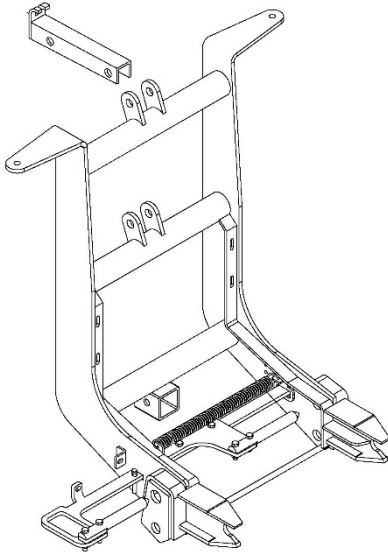
**QLII-HI**

Quick Link II, Hi boy



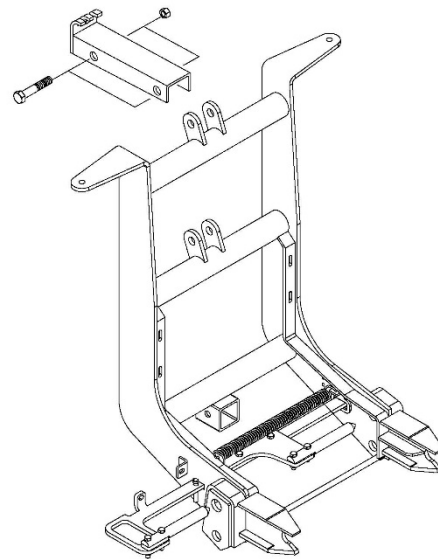
**QLII-HI-DLC**

Quick Link II, Hi boy c/w Dual Lift chain



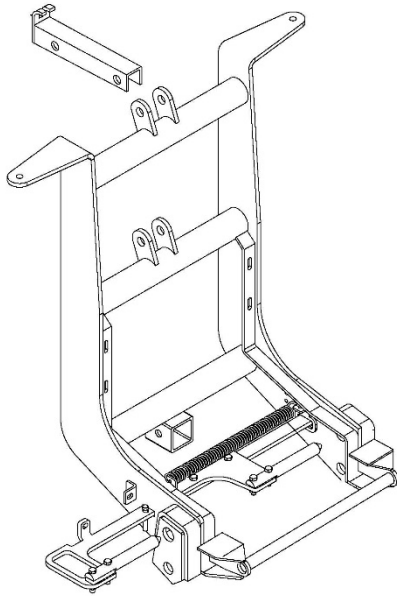
**QLIII-HI**

Quick Link III, Hi boy



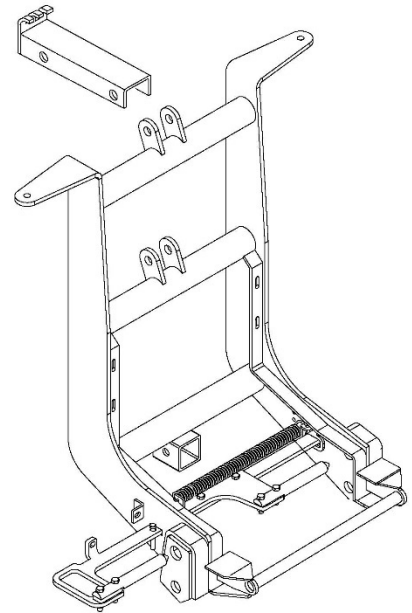
**QLIII-HI-DLC**

Quick Link III, Hi boy c/w Dual lift chain



**QLIV-HI**

Quick Link IV, Hi boy



**QLIV-HI-DLC**

Quick Link IV, Hi boy c/w Dual lift chain